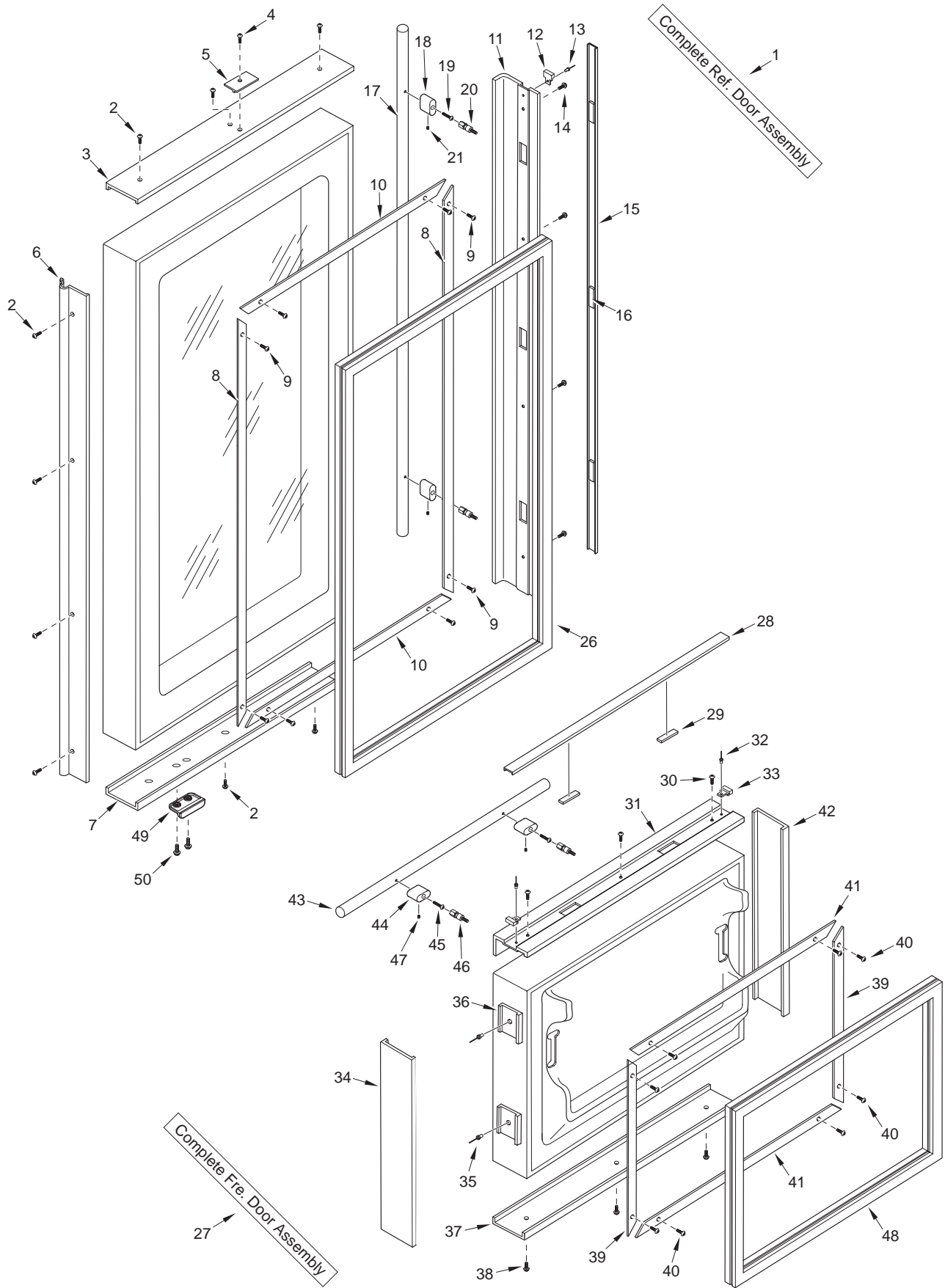


611G-3 DOOR PARTS LIST

Ref #	Part #	Description	Ref #	Part #	Description
1	4134655	Door Assy,Ref 611G Frmd/Overlay-RH	18	3512150	Standoff, SS Oval
	4134656	Door Assy,Ref 611G Frmd/Overlay-LH		3512151	Standoff,Oval, B
	4134657	Door Assy,Ref 611HAG Frmd/Olay-RH		3512152	Standoff,Oval, P
	4134658	Door Assy,Ref 611HAG Frmd/Olay-LH	19	6110540	Bolt, #10-24 x 1/2 Flat Socket HD
	4134665	Door Assy, Ref 611G SS-RH	20	3511520	Handle Mounting Stud
	4134666	Door Assy, Ref 611G SS-LH	21	6110730	Set Screw #10-32 x 1/4 SS Cone
	4134667	Door Assy, Ref 611HAG SS-RH	22	NA	
	4134668	Door Assy, Ref 611HAG SS-LH	23	NA	
	4135613	Door Assy, SRVC, 611G-RH, B	24	NA	
	4135614	Door Assy, SRVC, 611G-LH, B	25	NA	
	4135623	Door Assy, SRVC, 611HAG-RH, B	26	3212160	Door Gasket, Refrigerator
	4135624	Door Assy, SRVC, 611HAG-LH, B	27	4135961	Drawer Assy Front, Svc 611F/O
	4135813	Door Assy, SRVC, 611G-RH, P		4136001	Drawer Assy Front, Svc 611S
	4135814	Door Assy, SRVC, 611G-LH, P		4136341	Drawer Assy Front, Svc 611B
	4135823	Door Assy, SRVC, 611HAG-RH, P		4136351	Drawer Assy Front, Svc 611P
	4135824	Door Assy, SRVC, 611HAG-LH, P	28	4132380	Handle/Trim Molding Assy, Freezer
NOTE:	Door Assy's incl. Wire Harness / Top Hinge Assy, do NOT incl. bottom hinge Assy or handle.		29	3451140	Magnet, Trim Strip
2	6200720	Screw, #8-18 x 1/2 Ph Truss Hd	30	6201300	Tapping Screw, #8 x 1/2
	6200721	Screw, #8-18X1/2 Ph Low Prfl, B	31	4132260	Drawer Handle Assy, Freezer (Framed)
3	2230610	Refrig. Door Trim, Top - RH		4132360	Handle-Side Door Trim, Freezer (Overlay)
	2230611	Refrig. Door Trim, Top - LH	32	6180160	Rivet, Open End Blind, 1/8 x 3/16
4	6200720	Screw, #8-18 x 1/2 Ph Truss Hd	33	3413340	Handle/Trim End Cap
	6200721	Screw, #8-18X1/2 Ph Low Prfl, B	34	2230701	Fre Drawer Trim, Rt Side
5	4200940	Switch Depressor (Includes Screw)	35	6180040	Pop Rivet, 3/16 x 1/8 Grip
	3421381	Depressor, Switch, B (Screw not Incl.)	36	3450460	Clip, Door Trim
6	3511140	Door Trim, Hinge Side - (SS Model)	37	2230614	Freezer Drawer Trim, Bottom
	3511141	Door Trim, Hinge Side - Mitered Corner	38	6200720	Screw, #8-18 x 1/2 Ph Truss Hd
	3512231	Trim, Door Hinge Side-Carbon		6200721	Screw, #8-18X1/2 Ph Low Prfl, B
	3512232	Trim, Door Hinge Side-Platinum	39	3420150	Gasket Retainer, 17.312
7	2230612	Refrig. Door Trim, Bottom - RH	40	6200410	Screw, #8 x 1/2 Slot Head Hex
	2230613	Refrig. Door Trim, Bottom - LH	41	3420200	Gasket Retainer, 27.062
8	3420240	Gasket Retainer, Side Ref, 47.438	42	2230702	Fre Drawer Trim, Lt Side
9	6200410	Screw, #8 x 1/2 Slot Head Hex	43	4133710	Handle Assy, Obr Standoff-Fre
10	3420200	Gasket Retainer, 27.062		4133711	(Incl. Stand-offs)
11	4132240	Door Handle Assy, Refrig. (Framed)		4133712	Handle Assy, OBR Standoff, B
	4132340	Handle-side Door Trim, Refrig. (Overlay)			(Incl. Stand-offs)
12	3413340	Handle/Trim End Cap			Handle Assy, OBR Standoff, P
13	6180160	Rivet, Open End Blind, 1/8 x 3/16	44	3512160	(Incl. Stand-offs)
14	6201300	Tapping Screw, #8 x 1/2		3512161	Standoff, SS Oval
15	4131870	Handle/Trim Molding Assy, Refrig.		3512162	Standoff, Oval, B
16	3451140	Magnet, Trim Strip			Standoff, Oval, P
17	4133700	Handle Assy, SS OBR Standoff-Ref	45	6110540	Bolt, #10-24 x 1/2 Flat Socket HD
		(Incl. Stand-offs)	46	3511520	Handle Mounting Stud
	4133701	Handle Assy, OBR Standoff, B	47	6110730	Set Screw #10-32 x 1/4 SS Cone
		(Incl. Stand-offs)	48	3212170	Door Gasket, Fre.
	4133702	Handle Assy, OBR Standoff, P	49	3430100	Closer, Door-Door Side
		(Incl. Stand-offs)	50	6110060	Bolt, #10-32 x 5/8", Truss Head

611G-3 DOOR VIEW

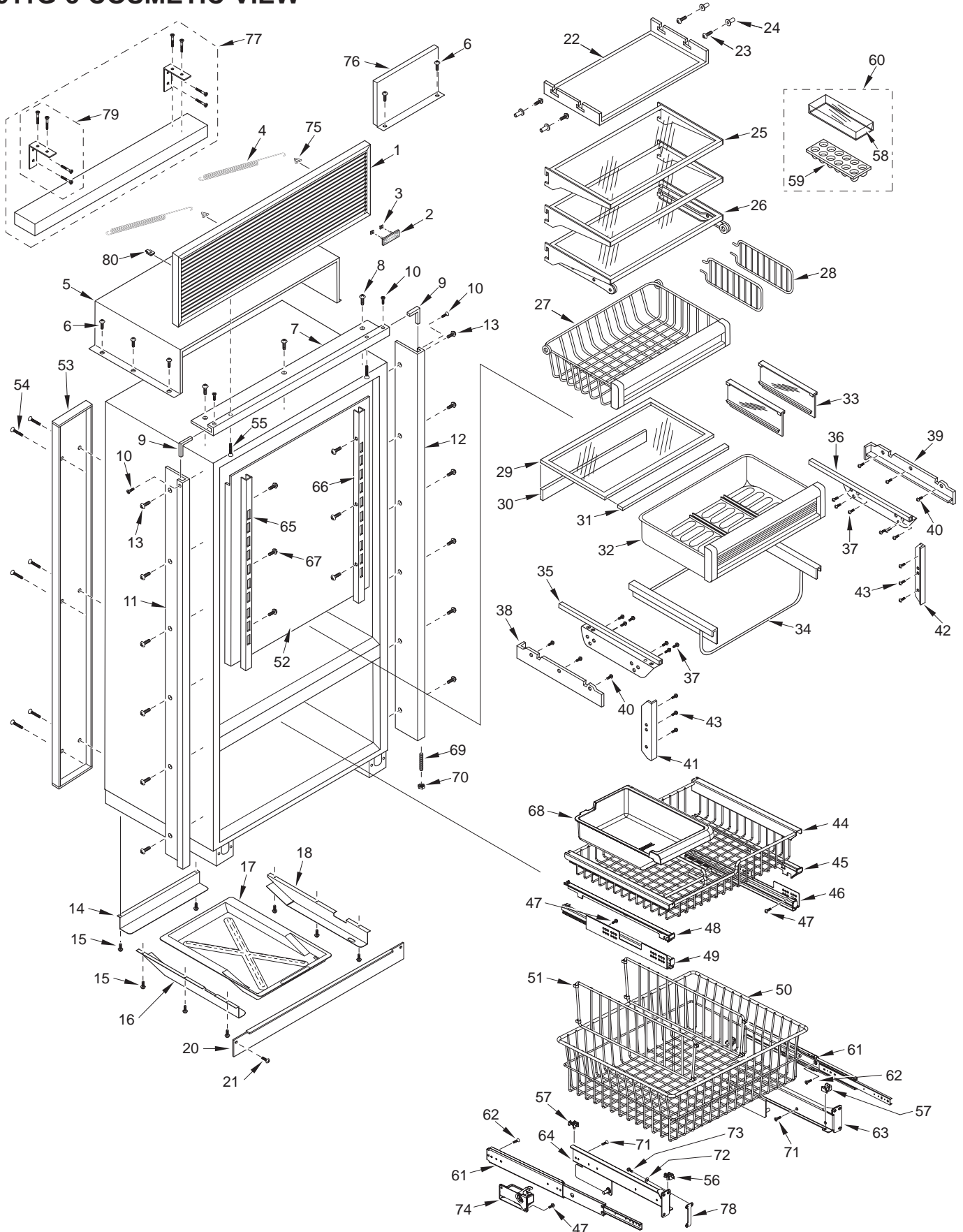


611G-3 COSMETIC PARTS LIST

Ref #	Part #	Description	Ref #	Part #	Description
1	6LG3011	Louvered Grille Assy, 30" x 11"	30	3211770	Crisper Glass Seal, Rear
	6PG3011	Panel Grille Assy, 30" x 11"	31	3211740	Crisper Glass Seal, Front
	6SG3011/S	SS Grille, 30X11-CLSC	32	4181460	High Humidity Drawer Assembly
	6SG3011/B	SS Grille 30X11-Carbon	33	3413100	Drawer Divider
	6SG3011/P	SS Grille 30X11-Platinum	34	3421760	Humidity Drawer Slide-Frame
2	3580210	Name Plate, Stick-on	35	4181412	Top Crisper Slide Assembly, Wide-LH
	3580211	Nameplate, B, P		4181421	Top Crisper Slide Assembly, Narrow-RH
	3580230	Name Plate w/ Pegs	36	4181411	Top Crisper Slide Assembly, Wide-RH
	3580270	Logo, Stainless 3 1/2" (Stick-on)		4181422	Top Crisper Slide Assembly, Narrow-LH
	3580280	Logo, Framed 3 1/2" (w/ Pegs)	37	6201270	Screw, #8-18 x 5/8" PH PN SS-Gnd
	3580290	Logo, Carbon 3 1/2", (Stick-on)	38	3421711	Top Crspr Glass Support, Narrow-RH
3	6150140	Spring Grip Nut, 1/8"		3421722	Top Crisper glass Support, Wide-LH
4	3450900	Grille spring	39	3421712	Top Crisper Glass Support, Narrow-LH
5	4281260	Unit Shroud Assembly		3421721	Top Crisper Glass Support, Wide-RH
6	6201270	Screw, #8-18 x 5/8" PH PN SS-Gnd	40	6201130	Screw, #8x 1/2" PH FL HD SS
7	2234007	Frame, Main Top 30 - RH	41	3421741	Crisper Filler Strip, Narrow (if RH)
	3517007	Frame, Main Top 30-RH, B		3421742	Crisper Filler Strip, Wide (if LH)
	3517032	Frame, Main Top 30-RH, P	42	3421741	Crisper Filler Strip, Narrow (if LH)
	2234008	Frame, Main Top 30 - LH		3421742	Crisper Filler Strip, Wide (if RH)
	3517008	Frame, Main Top 30-LH, B	43	6201270	Screw, #8-18 x 5/8" PH PN SS-Gnd
	3517033	Frame, Main Top 30-LH, P	44	3414680	Basket, Fre Upr
8	6200010	Screw, #10-12 x 3/4" Pan HD	45	3422331	Retainer, Upper Fre Basket RH
9	2210701	Main Frame Angle	46	3414611	Slide, Full Ex Quadro 18" V6+ RH
10	6200070	Screw, #4-24 x 3/8" Flat HD	47	6110030	Bolt, #10-24 x 1/2", Round Head
	6200071	Screw, #4-24X3/8 Flat Hd, B	48	3422332	Retainer, Upper Fre Basket LH
11	2234013	Frame, Main Side Left - RH	49	3414612	Slide, Full Ex Quadro 18" V6+ LH
	3517004	Frame, Main Side Left-RH, B	50	3414700	Basket, Fre Lwr
	3517029	Frame, Main Side Left-RH, P	51	3414760	Divider, Lwr Basket
	2234014	Frame, Main Side Left - LH	52	7002006	Cover Assy, Ref Evap Svce
	3517012	Frame, Main Side Left-LH, B	53	0261640	Duct, Back
	3517037	Frame, Main Side Left-LH, P	54	6201060	Screw, #8x1-1/4" PH FLAT TAP
12	2234011	Frame, Main Side Right - RH	55	6201310	Screw, #8 x 1-3/4" Flat PH HD
	3517011	Frame, Main Side Right-RH, B		6201311	Screw, #8X1-3/4 Flt Ph Hd, B
	3517036	Frame, Main Side Right-RH, P	56	3422341	Retainer, Lower Fre Basket RH
	2234012	Frame, Main Side Right - LH	57	3422342	Retainer, Lower Fre Basket LH
	3517006	Frame, Main Side Right-LH, B	58	3412280	Egg Tray Cover
	3507031	Frame, Main Side Right-LH, P	59	3412270	Egg Tray
13	6201550	Screw, #8-18 Lw Prfl	60	4131810	Egg Tray with Cover
14	0262020	Support, Drain Pan, Rear	61	3414590	Slide, Full Extension 18"
15	6200010	Screw, #10-12 x 3/4" Pan HD	62	6110970	Machine Screw, 1/4-20 X 1 #10FL
16	0262010	Support, Drain Pan, LH	63	3422321	Rail Assy, Drawer Slide Right
17	2120121	Pan, Drain Vac Form	64	3422322	Rail Assy, Drawer Slide Left
18	0262000	Support, Drain Pan, RH	65	3601821	Refrig. shelf ladder, Right
19	3550300	Glide, Rear Drawer 1/2X1/4	66	3601822	Refrig. shelf ladder, Left
20	0260710	Kickplate	67	6200710	Screw, #8-18 x 3/8" Fillister HD
	0168570	Kickplate, Stainless Steel	68	3414740	Bucket, Ice
	0168571	Kickplate, Solid-30", B	69	3550190	Bottom Hinge Stud
	0168572	Kickplate, Solid-30", B	70	6150200	Nut, 1/4-20 Hex
21	6200050	Screw, #10-12 Pan Hd	71	6111020	Mach Screw, #10-24X3/8 UN FL HD
	6200720	Screw, #8-18x1/2 Ph Tr Hd (SS Model)	72	6240340	Washer, Flat 1/4X5/8 X .045 SS
22	4162580	Refrig. Light Diffuser Assembly	73	6110980	Cap Screw, 1/4-20X3/4 Button HD
23	6201330	Screw, #8-18 x 5/8" PH PN SS-Gnd	74	3541320	Closer, Drawer LH
24	3520420	Insert / Diffuser Stand-off	75	3450520	Grille Hook
25	3602330	Shelf, Glass Cantilever	76	4281270	Compsr Shroud Assy
26	NA		77	4201310	Blocking Components; 30"
27	NA		78	0187010	Spacer, Drawer Rail
28	NA		79	4201340	Blocking Hardware Package
29	4151770	Crisper Glass Assembly (Incl. Seals)	80	6150140	Spring Grip Nut, 1/8"



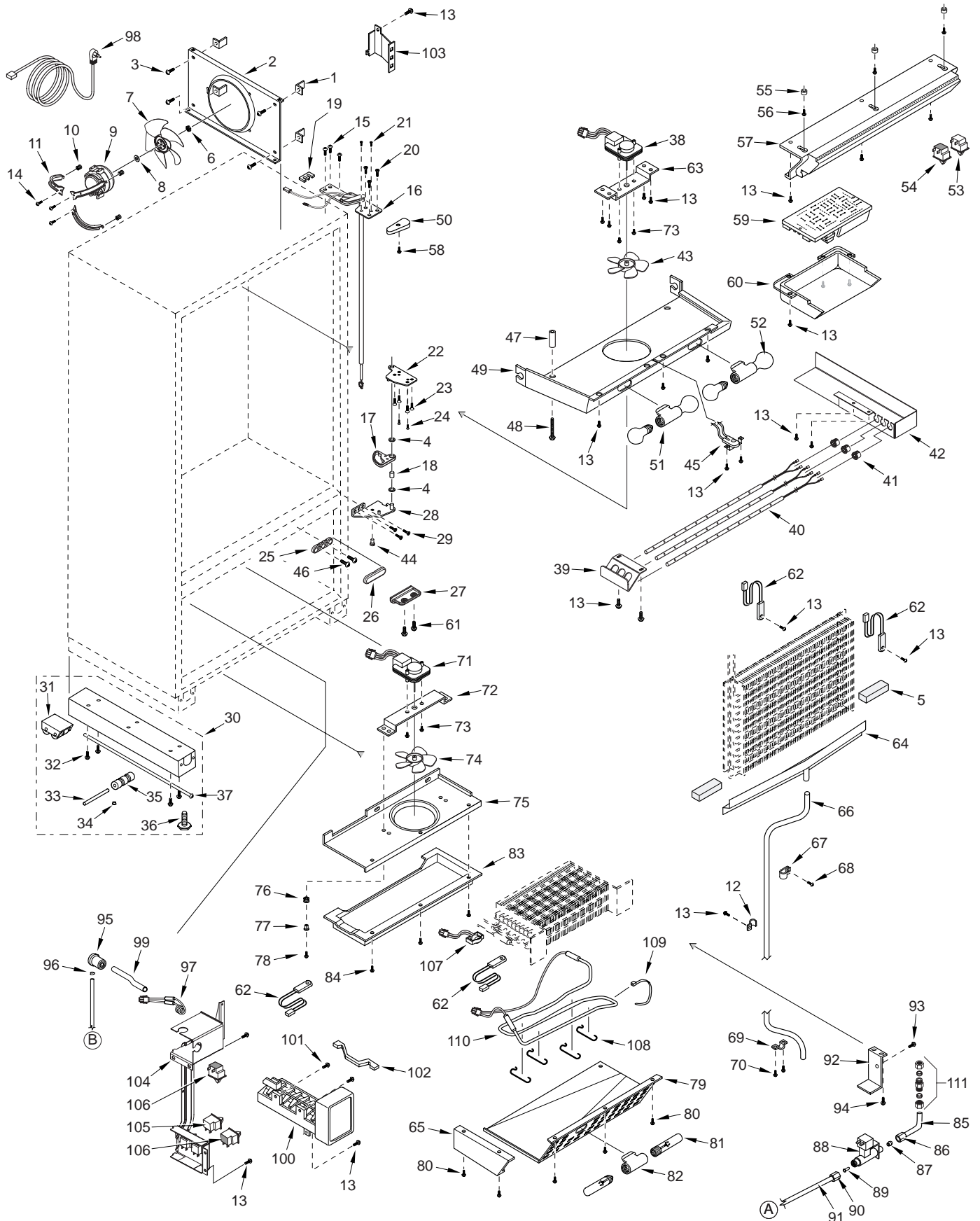
611G-3 COSMETIC VIEW



611G-3 MECHANICAL PARTS LIST

Ref #	Part #	Description	Ref #	Part #	Description
1	3450290	Angle Bracket	51	3050250	Socket, Light Med Base Double
2	0261220	Shroud, Cond Fan	52	3030030	Light Bulb, 40 Watt
3	6200010	Screw, #10-12 x 3/4" Pan HD	53	3060130	SPST Fan/Icemaker Switch (White)
4	3430120	Bushing, Door		3060131	Switch, Rocker N.O. Black
5	6231490	Tape, Foam XLPE	54	3060140	SPST Light Switch (White)
6	6150410	Nut, 1/4-20		3060141	Switch, Rocker N.C. Black
7	3150800	Blade, Condenser Forward-SW	55	6160240	Nylon Spacer
8	3210340	Neoprene Silencer, 7/8"	56	6200720	Screw, #8-18 x 1/2 PH Truss HD
9	4200740	Motor Pkg, Cond Fan (blade not incl.)	57	4162682	Control Panel Assy, 611G Srvc
10	3220360	Grommet, Mtg Brkt	58	6200140	Screw, #8-15 x 3/8" Truss HD
11	0261150	Bracket, Cond Mounting	59	4203790	Control Board Pkg
12	6120050	Tube Clamp, Plastic, 5/8"	60	4152050	Cover Assy, Control
13	6201270	Screw, #8-18 x 5/8" PH PN SS-Gnd	61	6110060	Bolt, #10-32 x 5/8", Truss Head
14	6200490	Screw, #8-32 x 3/8" Slotted Hex T25	62	4204150	Thermistor, ASM Srvc Pkg
15	6110070	Bolt, 1/4-20x3/4 Spinlock Zinc	63	0212540	Bracket, Fan
16	4325671	WH, Top Hinge Assy - RH	64	0212630	Drain Trough, Ref
	4325673	W/H,Door Hinge 611G-650G/B-RH	65	0234300	Fre Evap. Cvr Lft Side
	4325672	WH, Top Hinge Assy - LH	66	1601400	Drain Tube, Wire - 1/2" x 72"
	4325674	W/H,Door Hinge 611G-650G/B-LH	67	6120050	Tube Clamp, Plastic, 5/8"
17	3421800	Door Stop Cam	68	6200120	Screw, #10-12 x 1/2" Truss HD
	3421801	Cam, Door Stop, B	69	6120210	U-Clamp, 5/8"
18	3421790	Bearing, Door Hinge	70	6200010	Screw, #10-12 x 3/4" Pan HD
19	0168680	Shim - Hinge	71	4200160	Freezer Fan Motor Pkg. (Blade not Incl.)
20	6110540	Bolt, #10-24 x 1/2" Flat Socket HD	72	0232280	Fan Bracket, Fre
21	6200390	Screw, #6 x 3/8" T25 Flat Head PH	73	6110270	Bolt, #10-32 x 1/4" RD HD
22	4151841	Hinge, Door Bottom LH	74	3150640	Fan Blade, Evaporator
	4151843	Hinge Assy,Door-Bot LH, B	75	4281500	Shroud Assy, Fre Evap 611 Srvc
	4151842	Hinge, Door Bottom RH	76	3220250	Grommet, 3/16" x 7/16" x 9/32"
	4151844	Hinge Assy,Door-Bot RH, B	77	3520120	Brass Insert, Fan Bracket
23	6110540	Bolt, #10-24 x 1/2" Flat Socket HD	78	6200670	Screw, #6-18 x 3/4" Teks
24	6200390	Screw, #6 x 3/8" T25 Flat Head PH	79	0235220	Cover, Fre Evap
25	3430110	Closer, Door-Cabinet Side	80	6200120	Screw, #10-12 x 1/2" Truss HD
26	3430140	Cover, Door Closer	81	3030040	Light Bulb, Long/Narrow; 40 watt
27	3430100	Closer, Door-Door Side	82	3050220	Socket, Light Int Base Sngl
28	4152081	Cabinet Hinge, Bot - RH	83	0234890	Fre Air Duct Assy
	4152083	Hinge Assy, Lwr Cabinet-RH, B	84	6200120	Screw, #10-12 x 1/2" Truss HD
	4152082	Cabinet Hinge, Bot - LH	85	2600297	Tube, Copper L-Shaped
	4152084	Hinge Assy, Lwr Cabinet-LH, B	86	3520380	Compression Nut
29	6110810	Screw, Machine #10-24X3/4 PH FT HD	87	3520370	Compression Sleeve
	6110811	Bolt, #10-24X3/4 Ph Flat Hd, B	88	4202790	Water Valve
30	4110353	Base Assy (w/rollers)	89	3520050	Brass Insert, Solenoid
31	4110331	Base Rear Roller Assy	90	3520030	Icemaker Nylon Nut, 1/4"
32	6200010	Screw, #10-12 x 3/4" Pan HD	91	2600617	Plastic Water Line
33	3550560	Straight Pin, Base Assy, .312" x 2.88"	92	0168160	Solenoid Water Valve Bracket
34	3450620	Canoe Clip	93	6200780	Screw, #10-24 x 1/2" PH Hex Washer
35	3421240	Cabinet Roller (Single)	94	6201270	Screw, #8-18 x 5/8" PH PN SS-Gnd
36	3570050	Leveling Leg, #18-3/8 x 1"	95	1607700	Water Inlet Tube
37	6110580	Adjusting Screw	96	6220470	Fill Tube Clamp
38	4200170	Refrig. Fan Motor Pkg. (Blade not Incl.)	97	3070210	Heater, Fill Tube
39	0261330	Bracket, Light	98	3025560	Cord Assy, Power Supply
40	3030170	Light Strip, 7.5 WATT	99	2605410	Water Inlet Tube Extension
41	3220810	Grommet, Open/Closed 1/2	100	4200522	Icemaker Assembly
42	0212740	Box, Light Display	101	6200120	Screw, #10-12 x 1/2" Truss HD
43	3150640	Fan blade, Ref/Fre Evap.	102	3140400	Icemaker Rudder Arm
44	3550770	90° Stop Pin	103	0260740	Bracket, Condenser Shroud
45	3082140	Light Terminator	104	4163081	Switch Assy, Fre Srvc/G
46	6201590	Screw, #8-32X1/2 Taplite Pn Trx	105	3060140	SPST Light Switch
47	6220540	Screw Grommet / Stand-off	106	3060130	SPST Fan/Icemaker Switch
48	6201010	Screw, #8-15 x 2" Pan Head	107	3082060	Defrost Terminator
49	4162700	Shroud Assy, Ref Fan	108	1801100	Heater Clip
50	3541017	Top Cabinet Hinge Cover, RH	109	6120340	Aluminum Strap
	3541211	Cover, Top Cabinet Hinge-RH,B	110	4325190	Defrost Heater Assy
	3541213	Cover, Top Cabinet Hinge-RH, P	111	3520250	Water Inlet Fitting Assy
	3541018	Top Cabinet Hinge Cover, LH			
	3541212	Cover, Top Cabinet Hinge-LH,B			
	3541214	Cover, Top Cabinet Hinge-LH, P			

611G-3 MECHANICAL VIEW



611G-3 SEALED SYSTEM PARTS LIST

<u>Ref #</u>	<u>Part #</u>	<u>Description</u>
1	4202280	Compressor, (EMI60HER)
2	3112570	Electrical Assy, EGZS60 (For EGZ60 Comp)
	3111460	Relay, Emb 1351408 or 213514083 (For EMI60HER Comp)
	3111470	Overload, TI4TM757NFB (For EMI60HER Comp)
3	3112500	Capacitor, 12MF (For EGZ60)
4	3112420	Term Cvr Spring, EGZ80
5	4201880	Compressor, Refrig. (EMI30HER)
6	3112211	Electrical Assy, EMU30HSC Comp (For EMU30HSC Comp.)
	3111370	Relay, 1351400 (For EMI30HER Compressor)
	3111410	Overload, 4TM734LFB (For EMI30HER Compressor)
7	3112500	Capacitor, 12MF (For EMU30HSC Comp.)
8	3112270	Term Cvr Spring, DC51C
9	3014230	Filter-Drier, High Side
10	0168040	Drier Bracket
11	6201270	Screw, #8-18 x 5/8" PH PN SS-Gnd
12	7002007	Evap, Fre Svce
13	3011130	Freezer Accumulator
14	6200120	Screw, #10-12 x 1/2" Truss HD
15	3130630	Evaporator, Refrig.
16	6201270	Screw, #8-18 x 5/8" PH PN SS-Gnd
17	2600138	Drain Pan Heater Loop
18	3421410	Drain Pan Heater Loop Support
19	6200010	Screw, #10-12 x 3/4" Pan HD
20	6200010	Screw, #10-12 x 3/4" Pan HD
21	6150220	Nut, 5/16-18 Hex Zinc
22	6240050	Flat Washer, 5/16"
23	3150010	Rubber Grommet, Small, 5/8"
	3150170	Rubber Grommet, Large, 15/16"
24	6160030	Spacer, 5/16 x 7/16 x 5/8"
	6160070	Sleeve, 5/16 x 7/16 x 7/8"
25	4251350	Heat Exchanger, Freezer
26	7002008	Condenser, Dual Svce
27	4251570	Heat Exchanger, Refrigerator
28	6120170	Locking Cable Tie, Red, 11-1/2"
29	3014100	Suction Line Drier (Service Only)



611G-3 SEALED SYSTEM VIEW

