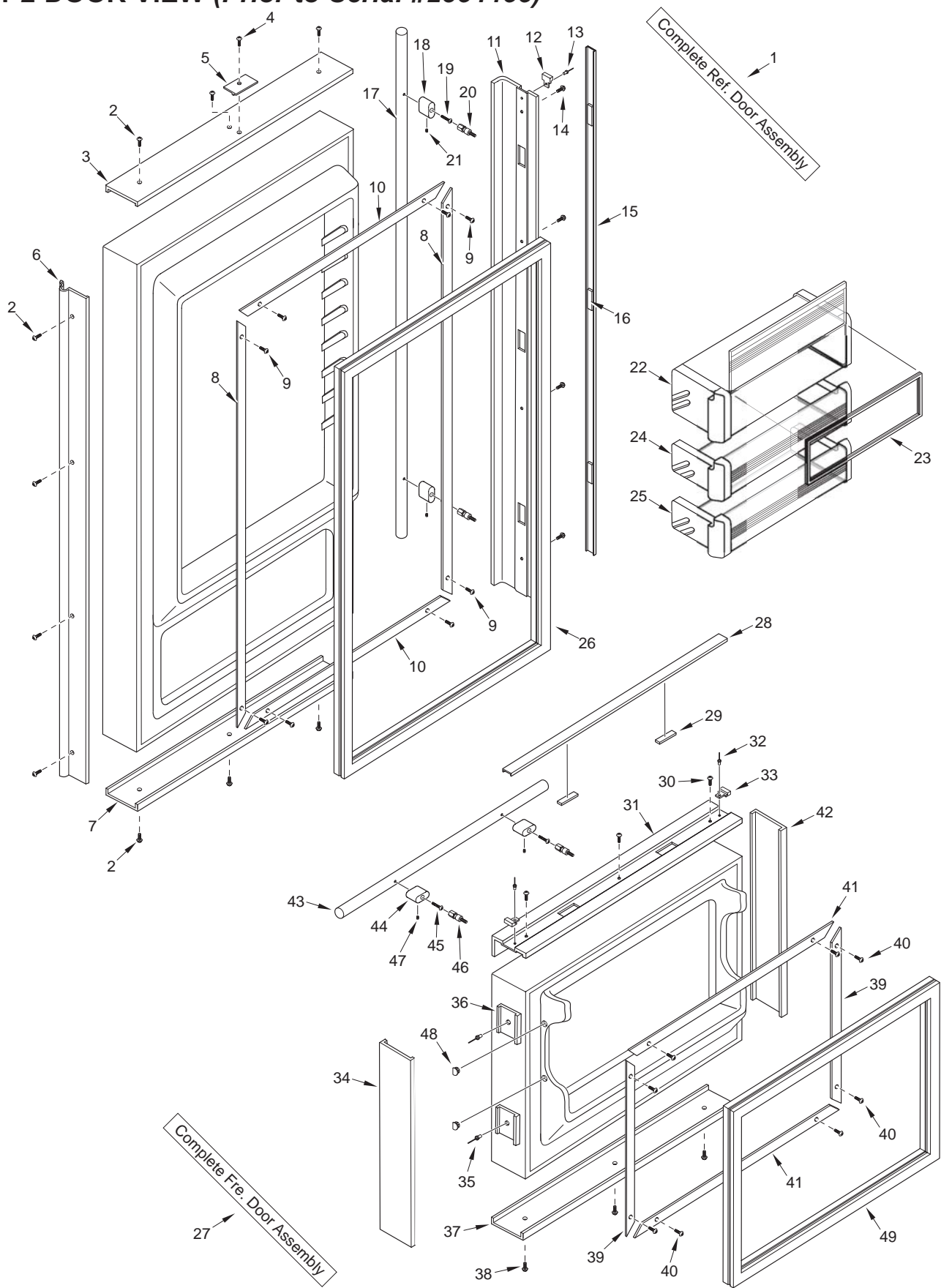


611-2 DOOR PARTS LIST (Prior to Serial #2354455)

Ref #	Part #	Description	Ref #	Part #	Description
1	4133133	Door Assy, 611 Ref-RH (Framed/Overlay)	20	3511520	Handle Mounting Stud
	4133134	Door Assy, 611 Ref-LH (Framed/Overlay)	21	6110730	Set Screw #10-32 x 1/4 SS Cone
	4133283	Door Assy, 611 Ref SS-RH	22	4330450	Dairy Compartment Assy
	4133284	Door Assy, 611 Ref SS-LH	23	3211830	Dairy Compartment Gasket
	4135603	Door Assy, SRVC, 611-RH, B	24	4330470	Refrig. Door Shelf Assy
	4135604	Door Assy, SRVC, 611-LH, B	25	4330520	Gallon Door Shelf Assy (Sales Acc.)
	4135803	Door Assy, SRVC, 611-RH, P	26	3212160	Door Gasket, Refrigerator
	4135804	Door Assy, SRVC, 611-LH, P	27	4133145	Drawer Assy, Fre (Frame/Overlay)
NOTE: Door Assy's do NOT incl. hinges or handles.					
2	6200720	Screw, #8-18 x 1/2 Ph Truss Hd		4133285	Fre Drawr Assy (SS)
	6200721	Screw, #8-18X1/2 Ph Low Prfl, B		4134860	Drawer Assy, 611, B
3	2230610	Trim, Door, Top Ref-RH		4135010	Drawer Assy, 611, P
	2230611	Trim, Door, Top Ref-LH	28	4132380	Handle/Trim Molding Assy, Freezer
4	6200720	Screw, #8-18 x 1/2 Ph Truss Hd	29	3451140	Magnet, Trim Strip - 3"
	6200721	Screw, #8-18X1/2 Ph Low Prfl, B	30	6201300	Tapping Screw, #8 x 1/2
5	4200940	Switch Depressor (Includes Screw)	31	4132260	Drawer Handle Assy, Freezer (Framed)
	3421381	Depressor, Switch, B (Screw not Incl.)		4132360	Handle-Side Door Trim, Freezer (Overlay)
6	3511140	Door Trim, Hinge Side - (SS Model)	32	6180160	Rivet, Open End Blind, 1/8 x 3/16
	3511141	Door Trim, Hinge Side - Mitered Corner	33	3413340	Handle/Trim End Cap
	3512231	Trim, Door Hinge Side-Carbon	34	2230701	Fre Drawer Trim, Rt Side
	3512232	Trim, Door Hinge Side-Platinum	35	6180040	Pop Rivet, 3/16 x 1/8 Grip
7	2230612	Trim, Door, Bottom Ref-RH	36	3450460	Door Trim Clip
	2230613	Trim, Door, Bottom Ref-LH	37	2230614	Freezer Drawer Trim, Bottom
8	3420240	Gasket Retainer, Side Ref, 47.438	38	6200720	Screw, #8-18 x 1/2 Ph Truss Hd
9	6200410	Screw, #8 x 1/2 Slot Head Hex		6200721	Screw, #8-18X1/2 Ph Low Prfl, B
10	3420200	Gasket Retainer, 27.062	39	3420150	Gasket Retainer, 17.312
11	4132240	Handle Assy, Door Ref (Framed)	40	6200410	Screw, #8 x 1/2 Slot Head Hex
	4132340	Trim Assy, Handle Side Ref (Overlay)	41	3420200	Gasket Retainer, 27.062
12	3413340	Handle/Trim End Cap	42	2230702	Fre Drawer Trim, Lt Side
13	6180160	Rivet, Open End Blind, 1/8 x 3/16	43	4133710	Handle Assy, Obr Standoff-Fre (Incl. Stand-offs)
14	6201300	Tapping Screw, #8 x 1/2		4133711	Handle Assy, OBR Standoff, B (Incl. Stand-offs)
15	4131870	Handle/Trim Molding Assy, Refrig.		4133712	Handle Assy, OBR Standoff, P (Incl. Stand-offs)
16	3451140	Magnet, Trim Strip - 3"	44	3512160	Standoff, SS Oval, Drwr
17	4133700	Handle Assy, SS OBR Standoff-Ref (Incl. Stand-offs)		3512161	Standoff, Oval, B
	4133701	Handle Assy, OBR Standoff, B (Incl. Stand-offs)		3512162	Standoff, Oval, P
	4133702	Handle Assy, OBR Standoff, P (Incl. Stand-offs)	45	6110540	Bolt, #10-24 x 1/2 Flat Socket HD
18	3512150	Standoff, SS Oval	46	3511520	Handle Mounting Stud
	3512151	Standoff, Oval, B	47	6110730	Set Screw #10-32 x 1/4 SS Cone
	3512152	Standoff, Oval, P	48	3550230	White Plastic Plug, 3/4
19	6110540	Bolt, #10-24 x 1/2 Flat Socket HD	49	3212170	Door Gasket, Fre.



611-2 DOOR VIEW (Prior to Serial #2354455)

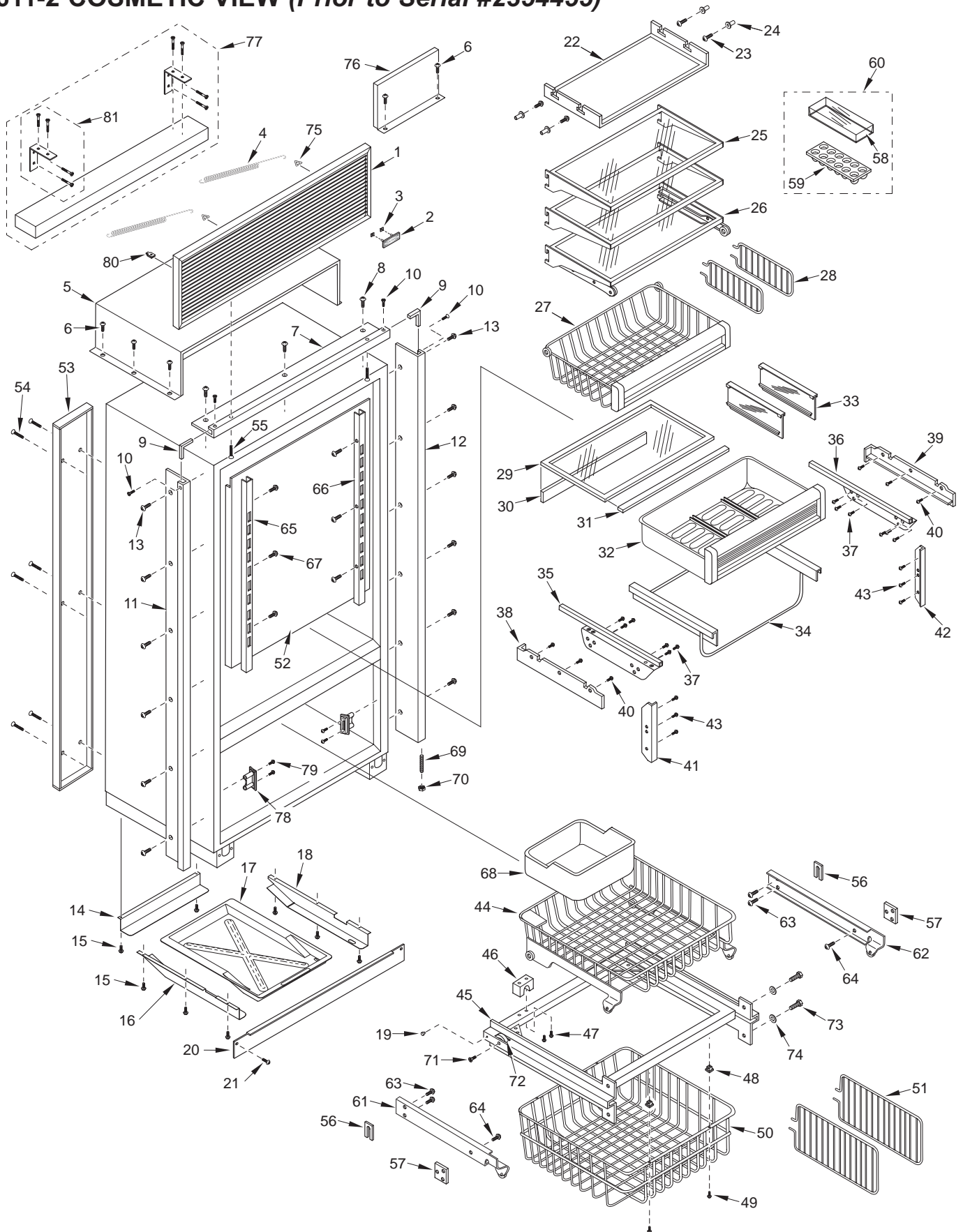


611-2 COSMETIC PARTS LIST (Prior to Serial #2354455)

Ref #	Part #	Description	Ref #	Part #	Description
1	6LG3011	Louvered Grille Assy, 30" x 11"	31	3211740	Crisper Glass Seal, Front
	6PG3011	Panel Grille Assy, 30" x 11"	32	4181460	High Humidity Drawer Assembly
	6SG3011/S	SS Grille, 30X11-CLSC	33	3413100	Drawer Divider
	6SG3011/B	SS Grille 30X11-Carbon	34	3421760	Humidity Drawer Slide-Frame
	6SG3011/P	SS Grille 30X11-Platinum	35	4181412	Top Crisper Slide Assembly, Wide-LH
2	3580210	Name Plate, Stick-on (See SN Breaks)		4181421	Top Crisper Slide Assembly, Narrow-RH
	3580211	Nameplate, B, P (See SN Breaks)	36	4181411	Top Crisper Slide Assembly, Wide-RH
	3580230	Name Plate w/ Pegs (See SN Breaks)		4181422	Top Crisper Slide Assembly, Narrow-LH
	3580270	Logo, Stainless 3 1/2" (Stick-on)	37	6201270	Screw, #8-18 x 5/8" PH PN SS-Gnd
	3580280	Logo, Framed 3 1/2" (w/ Pegs)	38	3421711	Top Crspr Glass Support, Narrow-RH
	3580290	Logo, Carbon 3 1/2", (Stick-on)		3421722	Top Crisper glass Support, Wide-LH
3	6150140	Spring Grip Nut, 1/8"	39	3421712	Top Crisper Glass Support, Narrow-LH
4	3450900	Grille spring		3421721	Top Crisper Glass Support, Wide-RH
5	4281260	Unit Shroud Assembly	40	6201130	Screw, #8x 1/2" PH FL HD SS
6	6201270	Screw, #8-18 x 5/8" PH PN SS-Gnd	41	3421741	Crisper Filler Strip, Narrow (if RH)
7	2234018	Frame, Main Top 30 LH		3421742	Crisper Filler Strip, Wide (if LH)
	3517016	Frame, Main Top 30-LH, B	42	3421741	Crisper Filler Strip, Narrow (if LH)
	3517041	Frame, Main Top 30-LH, P		3421742	Crisper Filler Strip, Wide (if RH)
	2234017	Frame, Main Top 30 RH	43	6201270	Screw, #8-18 x 5/8" PH PN SS-Gnd
	3517015	Frame, Main Top 30-RH, B	44	4181950	Upper Fre Basket Assy
	3517040	Frame, Main Top 30-RH, P	45	4181910	Drawer Slide Assy, Fre
8	6200010	Screw, #10-12 x 3/4" Pan HD	46	3420950	Upper Freezer Basket Restraint
9	2210701	Main Frame Angle	47	6200340	Screw, #6-20 x 1/2" Pan Head
10	6200070	Screw, #4-24 x 3/8" Flat HD	48	6220110	Screw Grommet, 1/2" x 9/16"
	6200071	Screw, #4-24X3/8 Flat Hd, B	49	6200130	Screw, #8-18 x 3/4" Truss HD
11	2234004	Frame, Main Left-RH	50	3413980	Lower Freezer Basket
	3517004	Frame, Main Side Left-RH, B	51	3413700	Lower Fre Bskt Divider
	3517029	Frame, Main Side Left-RH, P	52	0201260	Refrig Evap Cover
	2234027	Frame, Main Side Left-LH	53	0261640	Duct, Back
	3517025	Frame, Main Side Left-LH, B	54	6201060	Screw, #8x1-1/4" PH FLAT TAP
	3517050	Frame, Main Side Left-LH, P	55	6201310	Screw, #8 x 1-3/4" Flat PH HD
12	2234006	Frame, Main Side Right-LH		6201311	Screw, #8X1-3/4 Flt Ph Hd, B
	3517006	Frame, Main Side Right-LH, B	56	0232310	Drawer Slide Shim, Rear
	3507031	Frame, Main Side Right-LH, P	57	0232300	Drawer Slide Shim, Front - .060"
	2234026	Frame, Main Side Right-RH		2121180	Shim, Freezer Drawer Front-.030"
	3517024	Frame, Main Side Right-RH, B	58	3412280	Egg Tray Cover
	3517049	Frame, Main Side Right-RH, P	59	3412270	Egg Tray
13	6201550	Screw, #8-18 Lw Prfl	60	4131810	Egg Tray with Cover
14	0262020	Support, Drain Pan, Rear	61	4181801	Cab Slide Assy, Fre; RT
15	6200010	Screw, #10-12 x 3/4" Pan HD	62	4181802	Cab Slide Assy, Fre; LT
16	0262010	Support, Drain Pan, LH	63	6110330	Screw, #10-32 x 1/4" Chrome Plate
17	2120121	Pan, Drain Vac Form	64	6200590	Screw, #12 x 1" Type A Zinc Flat HD
18	0262000	Support, Drain Pan, RH	65	3601821	Refrig. shelf ladder, Right
19	3550300	Glide, Rear Drawer 1/2X1/4	66	3601822	Refrig. shelf ladder, Left
20	0260710	Kickplate	67	6200710	Screw, #8-18 x 3/8" Fillister HD
	0168570	Kickplate, Stainless Steel	68	3411340	Ice Bucket
	0168571	Kickplate, Solid-30", B	69	3550190	Bottom Hinge Stud
	0168572	Kickplate, Solid-30", P	70	6150200	Nut, 1/4-20 Hex
21	6200050	Screw, #10-12 Pan Hd	71	6110260	Bolt, 1/4-20 x 1/2" Flat HD
	6200720	Screw, #8-18x1/2 Ph Tr Hd (SS Model)	72	3420900	Roller Bearing
22	4162580	Refrig. Light Diffuser Assembly	73	6110450	Bolt, 1/4-20 x 1/2" Whiz Lock
23	6201330	Screw, #8-18 x 5/8" PH PN SS-Gnd	74	6240040	Flat Washer, 1/4"
24	3520420	Insert / Diffuser Stand-off	75	3450520	Grille Hook
25	3601891	Glass Shelf, Spill Proof	76	4281270	Compsr Shroud Assy
26	4181560	Refrig. Roll-out Shelf Assy	77	4201310	Blocking Components; 30"
27	4181540	Refrig. Roll-out Basket Assy	78	3421860	Grommet, Spprt Insul.
28	3411160	Ref Roll-Out Bskt Divider	79	6200010	Screw, #10-12 x 3/4" Pan HD
29	4151770	Crisper Glass Assembly (Incl. Seals)	80	6150140	Spring Grip Nut, 1/8"
30	3211770	Crisper Glass Seal, Rear	81	4201340	Blocking Hardware Package



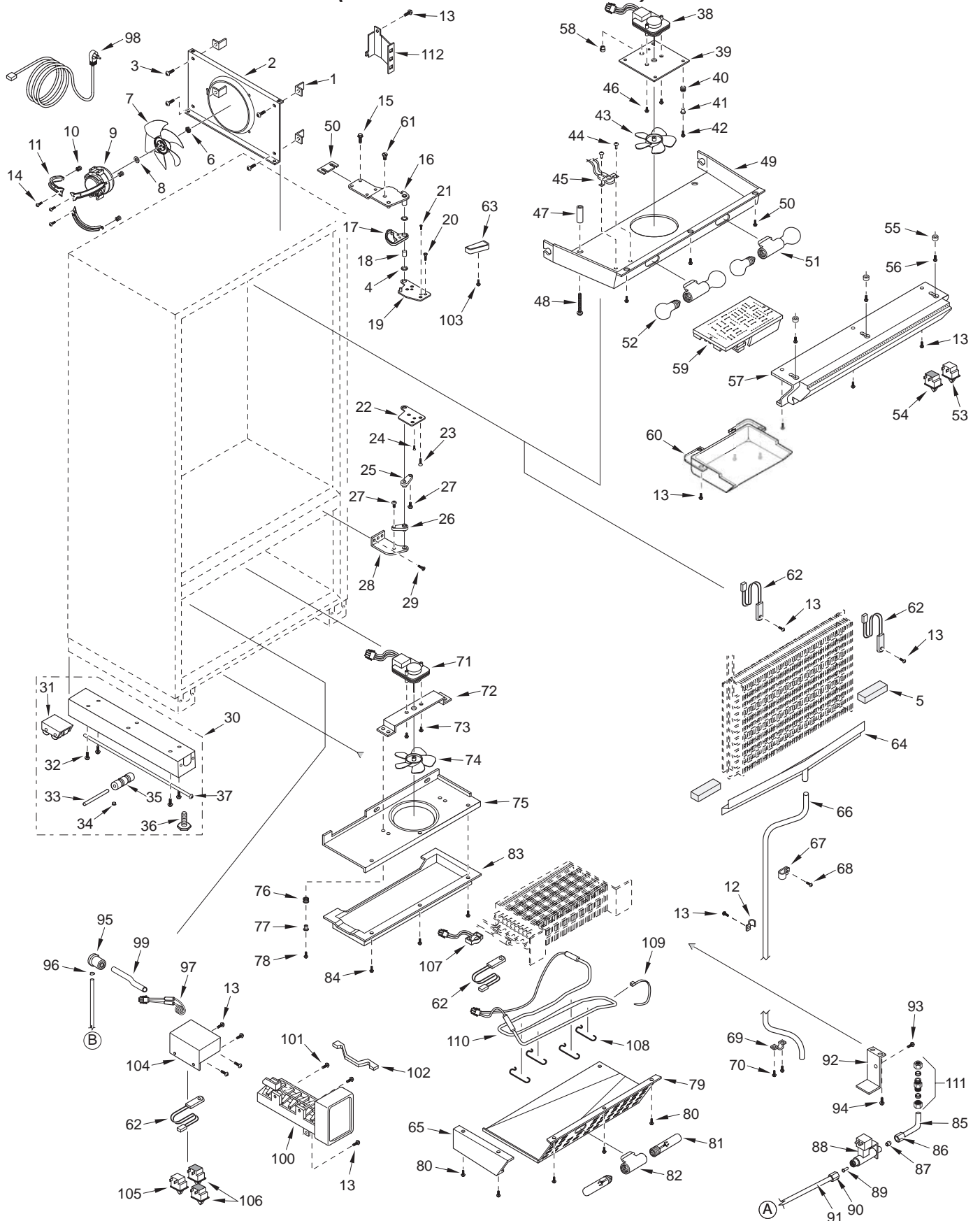
611-2 COSMETIC VIEW (Prior to Serial #2354455)



611-2 MECHANICAL PARTS LIST (Prior to Serial #2354455)

Ref #	Part #	Description	Ref #	Part #	Description
1	3450290	Bracket, Angle #8a	52	3030030	Light Bulb, 40 Watt
2	0261220	Shroud, Cond Fan	53	3060130	SPST Fan/Icemaker Switch (White)
3	6200010	Screw, #10-12 x 3/4" Pan HD		3060131	Switch, Rocker N.O. Black
4	3430120	Bushing, Door	54	3060140	SPST Light Switch (White)
5	6231490	Tape, Foam XLPE		3060141	Switch, Rocker N.C. Black
6	6150410	Nut, 1/4-20	55	6160240	Nylon Spacer
7	3150800	Blade, Condenser Forward-SW	56	6200720	Screw, #8-18 x 1/2 PH Truss HD
8	3210340	Neoprene Silencer, 7/8"	57	4161922	Control Panel Assy
9	4200740	Motor Pkg, Cond Fan (blade not incl.)	58	3220300	Bushing, Strain Relief RT Angle
10	3220360	Grommet, Mtg Brkt	59	4203790	Control Board Pkg
11	0261150	Bracket, Cond Fan Mounting (3)	60	4152050	Cover Assy, Control
12	6120050	Tube Clamp, Plastic, 5/8"	61	3550770	90° Stop Pin
13	6201270	Screw, #8-18 x 5/8" PH PN SS-Gnd	62	4204150	Thermistor, ASM Srvc Pkg
14	6200490	Screw, #8-32 x 3/8" Slotted Hex T25	63	3541017	Top Cabinet Hinge Cover, RH
15	6110070	Bolt, 1/4-20x3/4 Spinlock Zinc		3541211	Cover, Top Cabinet Hinge-RH,B
16	4151831	Upper Cabinet Hinge - RH		3541213	Cover, Top Cabinet Hinge-RH, P
	4151833	Hinge Assy, Upr Cab-RH, B		3541018	Top Cabinet Hinge Cover, LH
	4151832	Upper Cabinet Hinge - LH		3541212	Cover, Top Cabinet Hinge-LH,B
	4151834	Hinge Assy, Upr Cab-LH, B		3541214	Cover, Top Cabinet Hinge-LH, P
17	3421800	Door Stop Cam	64	0212630	Drain Trough, Ref
	3421801	Cam, Door Stop, B	65	0234300	Fre Evap. Cvr Lft Side
18	3421790	Bearing, Top Door Hinge	66	1601400	Drain Tube, Wire - 1/2" x 72"
19	4151841	Hinge, Door Top - RH	67	6120050	Tube Clamp, Plastic, 5/8"
	4151843	Hinge Assy,Door-Top RH, B	68	6200120	Screw, #10-12 x 1/2" Truss HD
	4151842	Hinge, Door Top - LH	69	6120210	U-Clamp, 5/8"
	4151844	Hinge Assy,Door-Top LH, B	70	6200010	Screw, #10-12 x 3/4" Pan HD
20	6110540	Bolt, #10-24 x 1/2" Flat Socket HD	71	4200160	Freezer Fan Motor Pkg. (Blade not Incl.)
21	6200390	Screw, #6 x 3/8" T25 Flat Head PH	72	0232280	Fan Bracket, Fre
22	0182381	Door Hinge, Bottom; RH	73	6110270	Bolt, #10-32 x 1/4" RD HD
	0182383	Hinge, Bottom Door-RH, B	74	3150640	Fan blade, Ref/Fre Evap.
	0182382	Door Hinge, Bottom; LH	75	4281500	Shroud Assy, Fre Evap
	0182384	Hinge, Bottom Door-LH, B	76	3220250	Grommet, 3/16" x 7/16" x 9/32"
23	6110540	Bolt, #10-24 x 1/2" Flat Socket HD	77	3520120	Brass Insert, Fan Bracket
24	6200390	Screw, #6 x 3/8" T25 Flat Head PH	78	6200670	Screw, #6-18 x 3/4" Teks
25	3420690	Bottom Door Hinge Cam	79	0235220	Cover, Fre Evap
	3420691	Cam, Top Door Closer, B	80	6200120	Screw, #10-12 x 1/2" Truss HD
26	3420681	Bottom Cabinet Hinge Cam, RH	81	3030040	Light Bulb, Long/Narrow; 40 watt
	3420683	Cam, Bottom Door Closer-RH, B	82	3050220	Socket, Light Base Sngl (See SN Breaks)
	3420682	Bottom Cabinet Hinge Cam, LH	83	0234890	Fre Air Duct Assy
	3420684	Cam, Bottom Door Closer-LH, B	84	6200120	Screw, #10-12 x 1/2" Truss HD
27	6110270	Bolt, #10-32 x 1/4" RD HD	85	2600297	Tube, Copper L-Shaped
	6110271	Bolt, #10-32x1/4 RD HD, B	86	3520380	Compression Nut
28	4152011	Cabinet Hinge, Bot - RH	87	3520370	Compression Sleeve
	4152013	Hinge Assy, Lower-RH, B	88	4202790	Water Valve
	4152012	Cabinet Hinge, Bot - LH	89	3520050	Brass Insert, Solenoid
	4152014	Hinge Assy, Lower-LH, B	90	3520030	Icemaker Nylon Nut, 1/4"
29	6110010	Bolt, #10-24 x 1/2" Flat Head UC	91	2600617	Plastic Water Line
30	4110353	Base Assy (w/rollers)	92	0168160	Solenoid Water Valve Bracket
31	4110331	Base Rear Roller Assy	93	6200780	Screw, #10-24 x 1/2" PH Hex Washer
32	6200010	Screw, #10-12 x 3/4" Pan HD	94	6201270	Screw, #8-18 x 5/8" PH PN SS-Gnd
33	3550560	Straight Pin, Base Assy, .312" x 2.88"	95	1607700	Water Inlet Tube
34	3450620	Canoe Clip	96	6220470	Fill Tube Clamp
35	3421240	Cabinet Roller (Single)	97	3070210	Heater, Fill Tube
36	3570050	Leveling Leg, #18-3/8 x 1"	98	3025560	Cord Assy, Power Supply
37	6110580	Adjusting Screw	99	2605410	Water Inlet Tube Extension
38	4200170	Refrig. Fan Motor Pkg. (Blade not Incl.)	100	4200522	Icemaker Assembly
39	0211620	Refrigerator Fan Bracket	101	6200120	Screw, #10-12 x 1/2" Truss HD
40	3220250	Grommet, 3/16" x 7/16" x 9/32"	102	3140400	Icemaker Rudder Arm
41	3520410	Brass Insert, Fan	103	6200140	Screw, #8-15 x 3/8" Truss HD
42	6110270	Bolt, #10-32 x 1/4" RD HD	104	0233820	Switch Housing, Freezer
43	3150640	Fan blade, Ref/Fre Evap.	105	3060140	SPST Light Switch
44	6180010	Pop Rivet, 1/8"	106	3060130	SPST Fan/Icemaker Switch
45	3082140	Light Terminator	107	3082060	Defrost Terminator-55/30 Deg.
46	6110270	Bolt, #10-32 x 1/4" RD HD	108	1801100	Heater Clip
47	6220540	Screw Grommet / Stand-off	109	6120340	Aluminum Strap
48	6201010	Screw, #8-15 x 2" Pan Head	110	4325190	Defrost Heater Assy
49	4161970	Refrig. Fan Shroud Assy	111	3520250	Water Inlet Fitting Assy
50	0168680	Shim - Hinge	112	0260740	Bracket, Condenser Shroud
51	3050250	Skt, Light MBase Db1			

611-2 MECHANICAL VIEW (Prior to Serial #2354455)



611-2 SEALED SYSTEM PARTS LIST (Prior to Serial #2354455)

<u>Ref #</u>	<u>Part #</u>	<u>Description</u>
1	4202280	Compressor, (EMI60HER)
2	3111350	Relay, (8EA403) (Used with RG108 Compressor)
	3111460	Relay, (1351408) (Used with EMI60HER Compressor)
	3111390	Overload (4TM419TFB) (Used with RG108 Compressor)
	3111470	Overload, (4TM757NFB) (Used with EMI60HER Compressor)
	3111133	Capacitor (15Mf) (Used with RG108 Compressor)
	3111470	Overload, (4TM757NFB) (Used with EMI60HER Compressor)
3	4251350	Heat Exchanger, Freezer
4	4201880	Compressor, Refrig. (EMI30HER)
5	3111370	Relay, (1351400 - for EMI30HER)
	3111410	Overload, (4TM734LFB - for EMI30HER)
6	4251570	Heat Exchanger, Refrigerator
7	3120480	Condenser, Dual
8	3014230	Filter-Drier, High Side
9	6120170	Locking Cable Tie, Red, 11-1/2"
10	0168040	Drier Bracket
11	6201270	Screw, #8-18 x 5/8" PH PN SS-Gnd
12	3130600	Evaporator Coil, Fre
13	3011130	Freezer Accumulator
14	6200120	Screw, #10-12 x 1/2" Truss HD
15	3130630	Evaporator, Refrig.
16	6201270	Screw, #8-18 x 5/8" PH PN SS-Gnd
17	2600138	Drain Pan Heater Loop
18	3421410	Drain Pan Heater Loop Support
19	6200010	Screw, #10-12 x 3/4" Pan HD
20	6200010	Screw, #10-12 x 3/4" Pan HD
21	6150220	Nut, 5/16-18 Hex Zinc
22	6240050	Flat Washer, 5/16"
23	3150010	Rubber Grommet, Small, 5/8"
	3150170	Rubber Grommet, Large, 15/16"
24	6160030	Spacer, 5/16 x 7/16 x 5/8"
	6160070	Sleeve, 5/16 x 7/16 x 7/8"
25	3014100	Suction Line Drier (Service Only)



611-2 SEALED SYSTEM VIEW (Prior to Serial #2354455)

