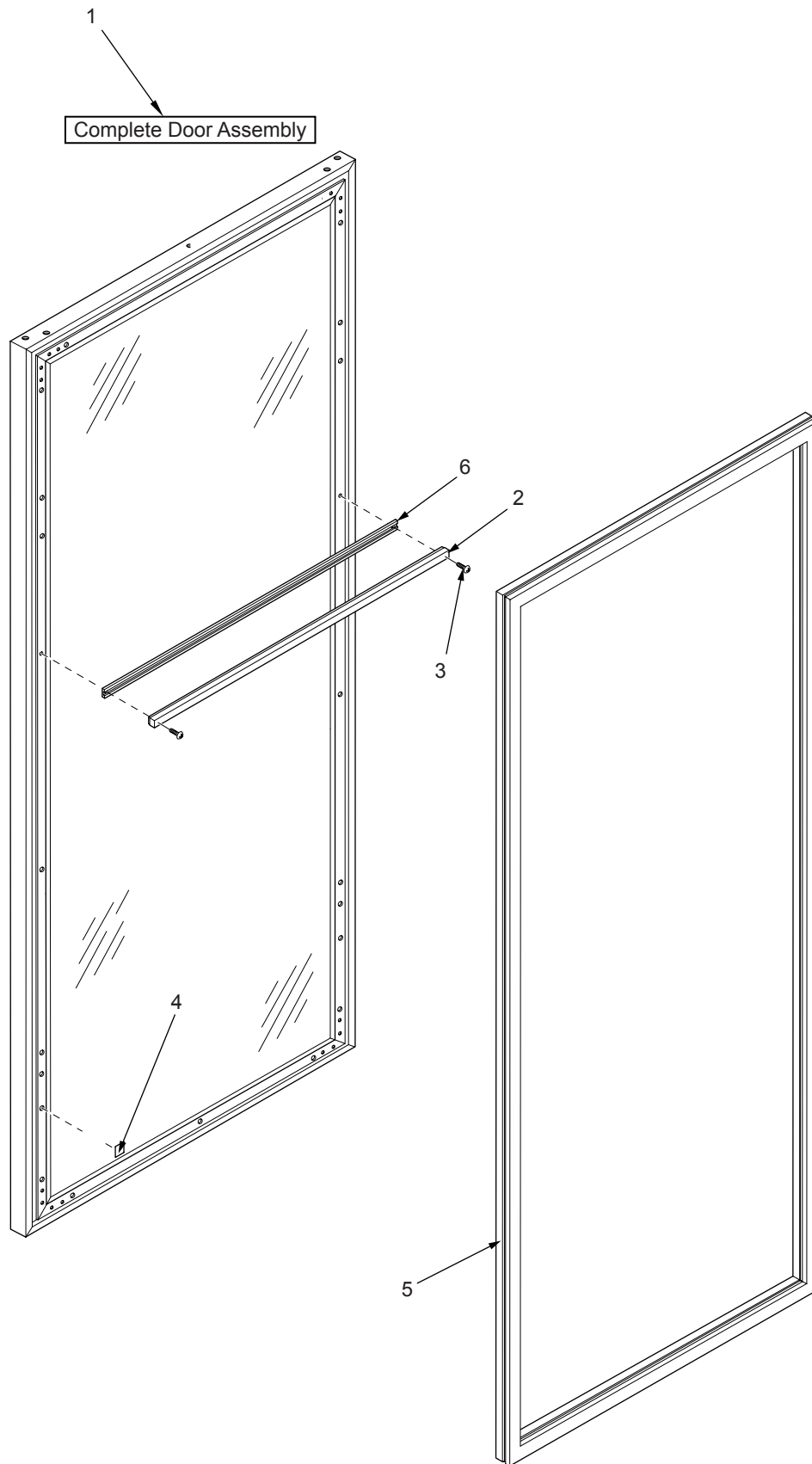


427 DOOR VIEW PARTS LIST

1. 4132741 Glass Door Assy- RH (Does Not Include Hinges or Handle)
- 4132742 Glass Door Assy- LH (Does Not Include Hinges or Handle)
- 4134381 Door Assy, (High Altitude) -427-G RH
- 4134382 Door Assy, (High Altitude) -427-G LH
- 4133001 Door Assy, Solid - RH (Does Not Include Hinges or Handle)
- 4133002 Door Assy, Solid - LH (Does Not Include Hinges or Handle)
2. 3212030 Seal, Center
3. 6201360 Screw, #4 x 3/4" PH PAN HD TYPE A
4. 6230970 Tape, Black Poly
5. 3211960 Gasket, Door
6. 2813201 Holder, Compression Gasket 24.4

NOTE: Door panels on this model are a sales accessory. For part numbers of complete door panel sets or components of the door panel sets, contact the factory.

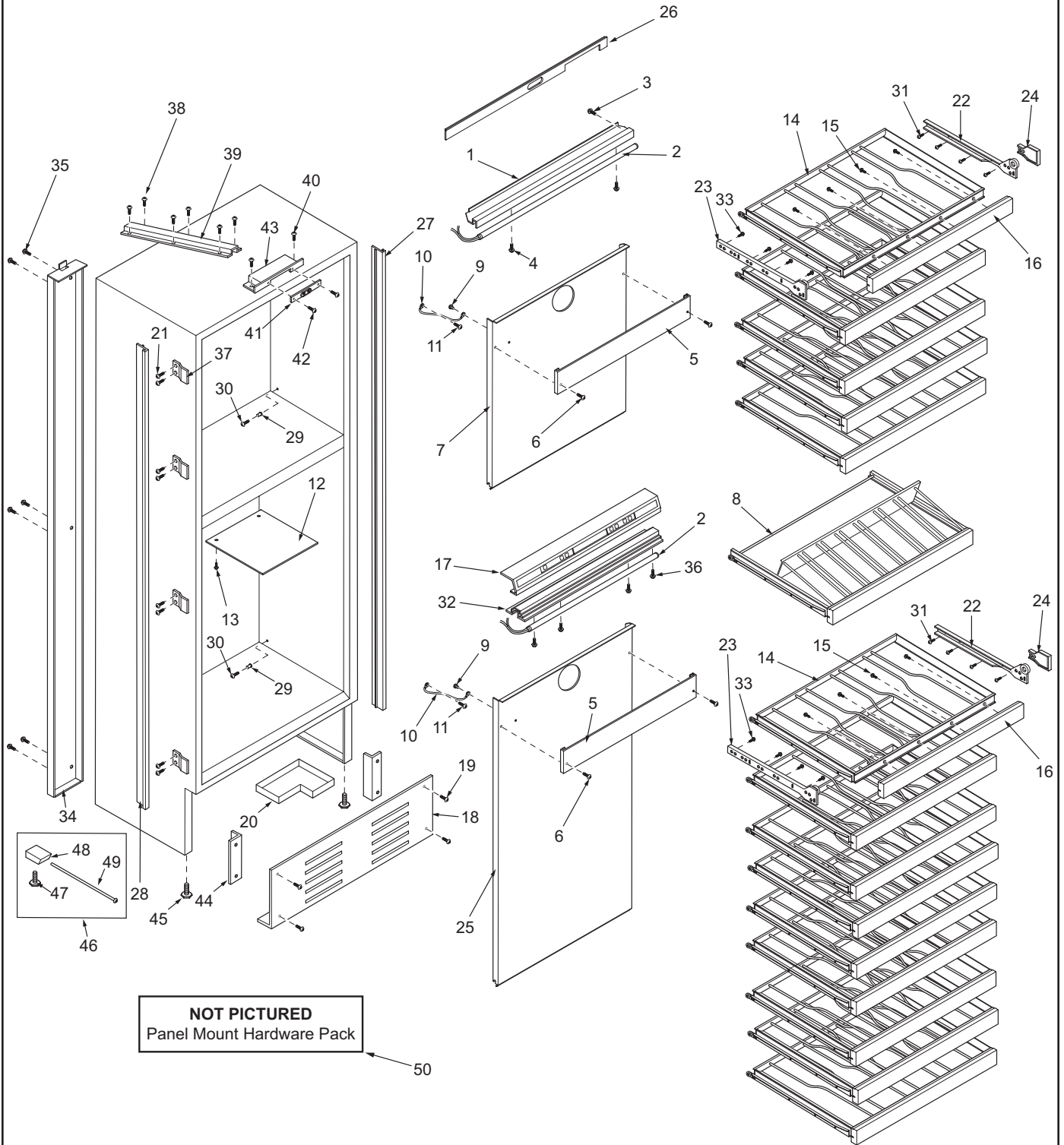
427 DOOR VIEW



427 COSMETIC VIEW PARTS LIST

- | | | | | | |
|-----|---------|------------------------------------|-----|---------|-------------------------------------|
| 1. | 3511680 | Extrusion, Upper Light | 26. | 3516451 | Molding, Top RH (See SN Breaks) |
| 2. | 3030150 | Light Strip, 15 WATT | | 3516680 | Molding, Top RH (See SN Breaks) |
| 3. | 6201270 | Screw, #8-18 x 5/8" PH PN SS-Gnd | | 3516452 | Molding, Top LH (See SN Breaks) |
| 4. | 6201310 | Screw, #8 x 1-3/4" Flat PH HD | | 3516680 | Molding, Top LH (See SN Breaks) |
| 5. | 0212340 | Cover, Evap Fan | 27. | 3516010 | Side Molding |
| 6. | 6201010 | Screw, #8-15 x 2" Pan Head | 28. | 3516010 | Side Molding |
| 7. | 0201090 | Evap Cover, UPR-LH UNIT | 29. | 3520120 | Brass Insert |
| | 0201100 | Evap Cover, UPR-RH UNIT | 30. | 6200130 | Screw, #8-18 x 3/4" Truss HD |
| 8. | 4181770 | Rack Assy, Display Wine | 31. | 6201230 | Screw, #8 x 7/8" w/a #7 PH FT Head |
| 9. | 6180010 | Pop Rivet, 1/8" | 32. | 3511710 | Housing, Lower Light |
| 10. | 4323860 | Ground Wire Assy | 33. | 6201230 | Screw, #8 x 7/8" w/a #7 PH FT Head |
| 11. | 6201270 | Screw, #8-18 x 5/8" PH PN SS-Gnd | 34. | 0169160 | Duct, Back |
| 12. | 0184410 | Panel, Srvc/Access (See SN Breaks) | 35. | 6201240 | Screw, #8X1-3/8" w/a #7 PH FT Hd |
| | 4152220 | Pnl Assy, Srvc Acc (See SN Breaks) | 36. | 6201270 | Screw, #8-18 x 5/8" PH PN SS-Gnd |
| 13. | 6200720 | Screw, #8-18 x 1/2 PH Truss HD | 37. | 3421510 | Bracket-Unit to Cabinetry |
| 14. | 4181730 | Wine Rack Assembly | 38. | 6200010 | Screw, #10-12 x 3/4" Pan HD |
| 15. | 6201420 | Screw | 39. | 0169290 | Raceway, Wire |
| 16. | 3516530 | Molding, Wood Wine Rack | 40. | 6200010 | Screw, #10-12 x 3/4" Pan HD |
| 17. | 4203110 | Control Panel Pkg, SRVC - 427 | 41. | 3450920 | Bracket, Switch Mnt (See SN Breaks) |
| 18. | 3560020 | Kickplate/Grille - RH | | 3450980 | Bracket, Switch Mnt (See SN Breaks) |
| | 3560030 | Kickplate/Grille - LH | 42. | 6200210 | Screw, #8-32 x 1/2" Flat Head |
| 19. | 6200050 | Screw, #10-12 x 1/2" Pan HD | 43. | 0169260 | Switch Enclosure (See SN Breaks) |
| 20. | 0168880 | Pan, Drain | | 0261710 | Box, Switch RH (See SN Breaks) |
| 21. | 6200720 | Screw, #8-18 x 1/2 PH Truss HD | | 0261720 | Box, Switch LH (See SN Breaks) |
| 22. | 3413551 | Cabinet Slide, RH | 44. | 0169400 | Bracket, Kickplate |
| 23. | 3413552 | Cabinet Slide, LH | 45. | 3570060 | Front Leveler Bolt |
| 24. | 3421830 | Slide Spacer | 46. | 4202000 | Rear Leveler Assembly |
| 25. | 0201030 | Evap Cover, LWR-LH-UNIT | 47. | N/A | Rear leveler Foot - (See 4202000) |
| | 0201040 | Evap Cover, LWR-RH-UNIT | 48. | N/A | Leveler Assy, Rear - (See 4202000) |
| | | | 49. | 3421500 | Adjusting Rod |
| | | | 50. | 6201430 | (Not pictured) Panel Mount Hdwr Pk |

427 COSMETIC VIEW



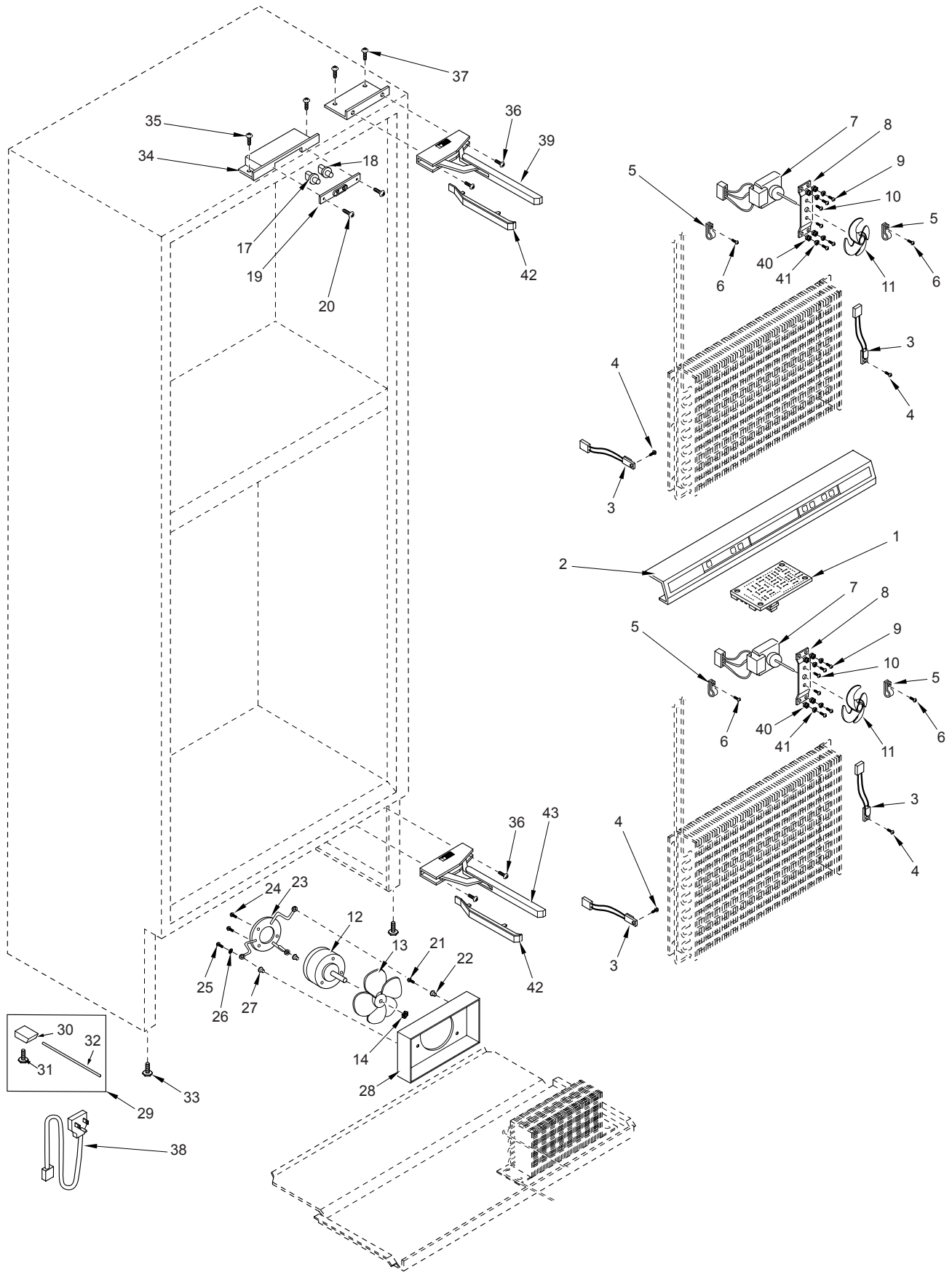
427 MECHANICAL VIEW PARTS LIST

1.	4203140	Control Board PKG, SRVC 400	25.	6201280	Machine Screw, #10-32 x 1-1/4"
2.	4203110	Control Panel Pkg, SRVC - 427	26.	6240350	Fender Washer, .25x1.25x.06
3.	3014350	Thermistor	27.	6150330	Well Nut, .75D x .804", #10-32
4.	6201270	Screw, #8-18 x 5/8" PH PN SS-Gnd	28.	0169340	Fan Shroud, Condenser
5.	6120030	Tube Clamp, Plastic 1/4"	29.	4202000	Rear Leveler Assembly
6.	6201270	Screw, #8-18 x 5/8" PH PN SS-Gnd	30.	N/A	Rear leveler Foot - (See 4202000)
7.	4220490	Fan Motor Assy (Incl. Brkt & Screws)	31.	N/A	Leveler Assy, Rear - (See 4202000)
8.	0212330	Bracket, Evap Fan Motor	32.	3421500	Adjusting Rod
9.	6201270	Screw, #8-18 x 5/8" PH PN SS-Gnd	33.	3570060	Front Leveler Bolt
10.	6110270	Bolt, #10-32 x 1/4" RD HD	34.	0169260	Switch Enclosure (See SN Breaks)
11.	3150640	Fan blade, Evaporator		0261710	Box, Switch RH (See SN Breaks)
12.	4200740	Condenser Fan Motor Components (Blade & Bracket NOT included)		0261720	Box, Switch LH (See SN Breaks)
13.	3150660	Condenser Fan Blade	35.	6200010	Fan Shroud, Condenser
14.	6150410	Nut, 1/4-20	36.	6201140	Screw, 1/4-20 x 1/2" Sems But HD
15.	4203060	Valve/Sol Components, UPR-Wine	37.	6200780	Screw, #10-24 x 1/2" PH Hex Washer
	4203070	Valve/Sol Components, LWR-Wine	38.	4324800	Retractor Assy, Power Cord
16.	N/A	(Included w/ Valve/Sol Components)	39.	3541031	Top Hinge Assy - RH (Used at Bottom on LH Units)
17.	3060030	Light Switch, Normally (1)		3541032	Top Hinge Assy - LH (Used at Bottom on RH Units)
18.	3060020	Fan Switch, Normally Open (1 or 2)	40.	3220250	Grommet, Rubber-#M5351
19.	3450920	Bracket, Switch Mnt (See SN Breaks)	41.	3520120	Brass Insert, Fan Bracket
	3450980	Bracket, Switch Mnt (See SN Breaks)	42.	3541050	Hinge Cover
20.	6200210	Screw, #8-32 x 1/2" Flat Head	43.	3541031	Top Hinge Assy - RH (Used at Bottom on LH Units)
21.	6200450	Screw, #8 x 1" Type AR Flat		3541032	Top Hinge Assy - LH (Used at Bottom on RH Units)
22.	3420670	Screw Spacer			
23.	3150670	Bracket, Cond Fan - Wine			
24.	6200490	Screw, #8-32 x 3/8" Slotted Hex T25			

Not Pictured

3021920 Wire Harness, Cabinet

427 MECHANICAL VIEW



427 SEALED SYSTEM VIEW PARTS LIST

1. 4203060 Valve/Sol Components, UPR-Wine
4203070 Valve/Sol Components, LWR-Wine
2. 6160030 Spacer, 5/16 x 7/16 x 5/8"
3. 3150010 Rubber Grommet, Small, 5/8"
4. 6240050 Flat Washer, 5/16"
5. 6200140 Screw, #8-15 x 3/8" Truss HD
6. 6120030 Tube Clamp, Plastic 1/4"
7. 3014420 Drier, Service Wine
8. 6240050 Flat Washer, 5/16"
9. 6240090 Lock Washer, 5/16"
10. 6150220 Nut, 5/16-18 Hex Zinc
11. 4203230 Compressor Pkg. SRVC-WINE(EMI30HER)
3111370 Relay, (1351400)
3111410 Overload, (4TM734LFB)
12. 6200110 Screw, #10-12 x 5/8" Truss SS
13. 6201270 Screw, #8-18 x 5/8" PH PN SS-Gnd
14. 4211550 Evap Assy, UPR (Includes Heat Exchanger)
3130280 Evaporator
4251440 Heat Exchanger
15. 0862330 Bracket, Solenoid
16. 6200330 Screw, #8-18 x 3/8" Pan Head
17. 3120360 Condenser
18. 4211560 Evap Assy, LWR (Includes Heat Exchanger)
3130280 Evaporator
4251450 Heat Exchanger
19. 6150080 Nut-Flat, #10-24
20. 0140360 Tray, Unit

