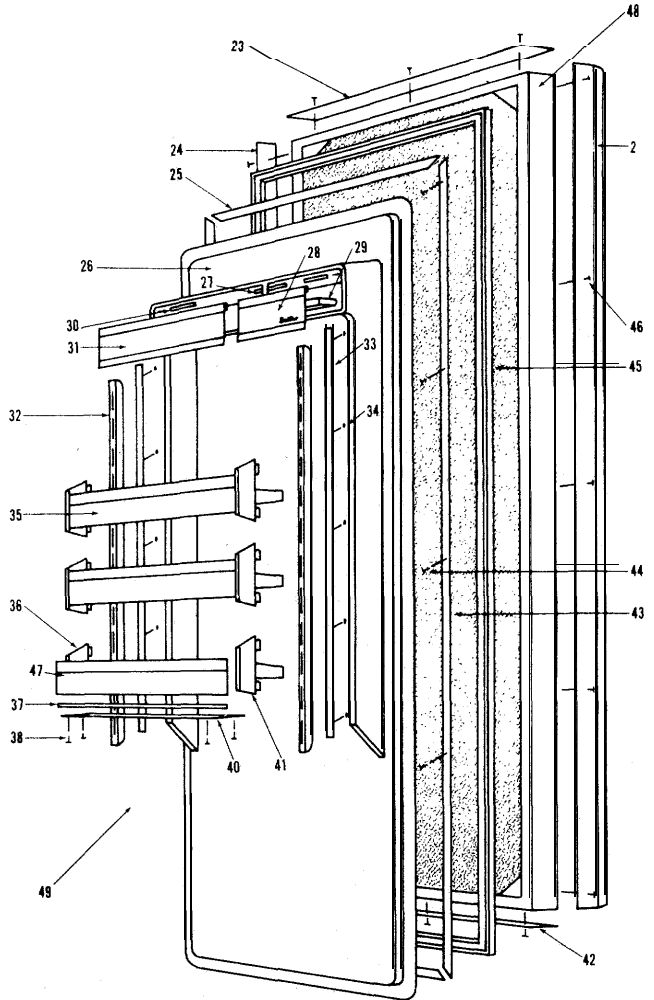
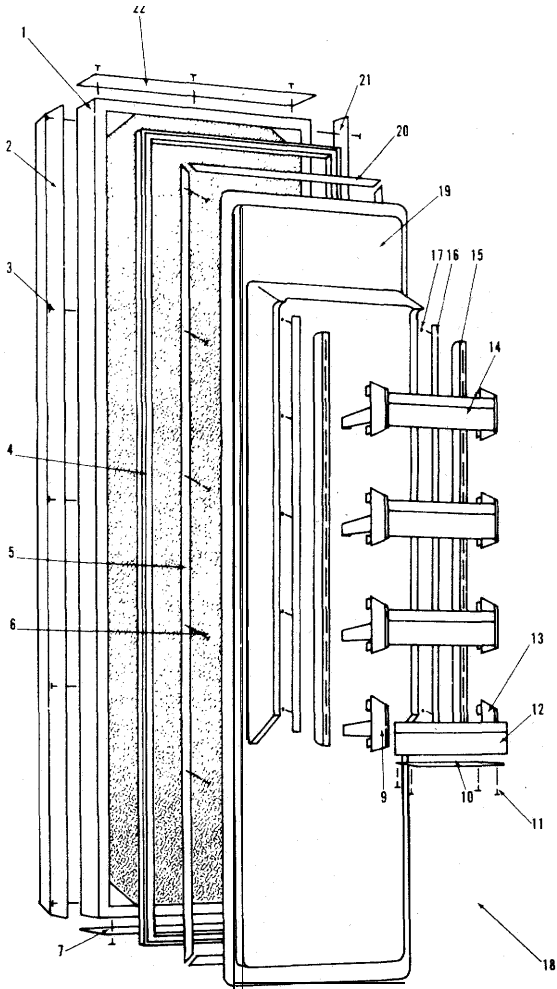


3211 RFD DOORS



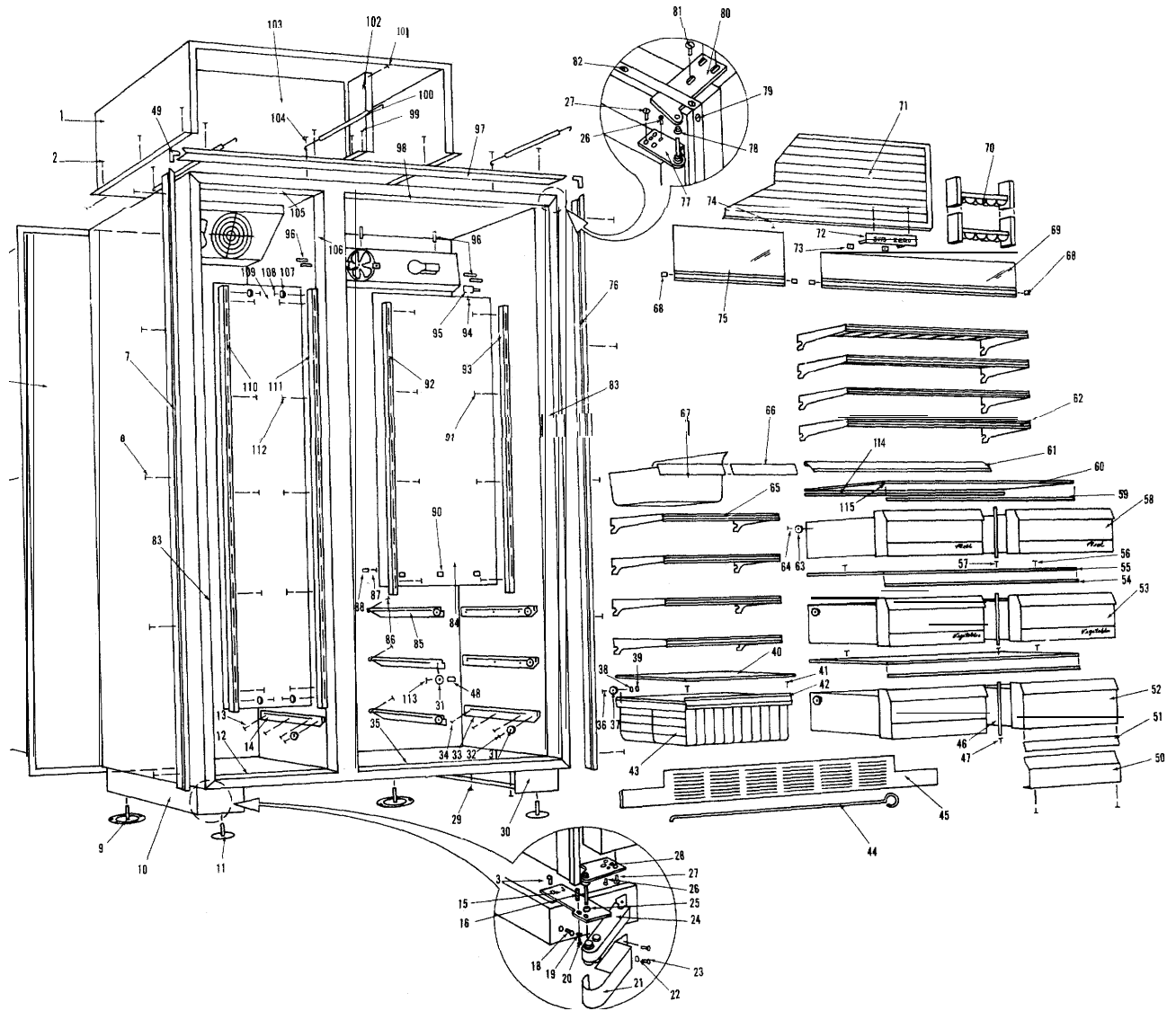
Item #	Part #	Description
1	0-17054-0	Freezer Door Shell
2	2-2126-01	Door Handle, 67-7/8
3	6-20-004-0	Screw, #4-24 x 1/2 Truss Head
	3-21-015-0	Freezer Door Gasket, 17.813 x 67.375
	3-42-026-0	Side Gasket Retainer, 66.875
6	6-20-041-0	Screw, #8 x 1/2 Slot Hex
	2-2191-05	Freezer Bottom Door Trim, 2.07 x 18-1/8
1	3-60-022-2	Left Side Door Shelf End Cap
10	2-8064-01	Freezer Door Shelf Tray, 10.56
11	6-20-039-0	Screw, #6 x 3/8 T25 Flat Head PH
12	2-8059-02	Freezer Door Shelf Guard, 12-1/8
13	3-60-022-1	Right Side Door Shelf End Cap
14	4-33-014-0	Freezer Door Shelf Assembly
15	2-2145-07	Freezer Door Shelf Ladder, 35-5/16
16	4-15-020-0	Door Shelf Ladder Holder Assembly, 33.5
17	6-15-032-0	Nut, #8-32 Pal (D0832075)
18	4-13-054-0	Complete Freezer Door Assembly
19	0-18222-0	Freezer Door Liner
20	3-42-015-0	Freezer Door Top & Bottom Gasket Retainer
21	2-2182-07	Side Door Trim, 2.07 x 67-7/8
22	2-2191-04	Freezer Top Door Trim, 2.07 x 18-1/8
23	2-2191-02	Refrigerator Top Door Trim, 2.07 x 27-7/8
24	2-2182-07	Side Door Trim, 2.07 x 67-7/8

Item #	Part #	Description
25	3-42-020-0	Ref. Door Top & Bottom Gasket Retainer, 27.062
26	0-18216-0	Refrigerator Door Liner
27	3-42-005-0	Butter Door Rod, 3/16 x 2
28	3-48-036-0	Butter Door, 4.875 x 7.688
29	3-44-001-0	Butter Dish, 3-1/8 x 6-1/8
30	3-42-005-0	Butter Door Rod, 3/16 x 2
31	3-48-033-0	Dairy Door, 4.975 x 13.75
32	2-2145-05	Refrigerator Door Shelf Ladder, 35
33	4-15-020-0	Ref. Door Shelf Ladder Holder Assembly, 33.5
34	6-15-032-0	Nut, #8-32 Pal (D0832075)
35	4-33-013-0	Refrigerator Door Shelf Assembly, 22-5/8
36	3-60-022-2	Left Side Door Shelf End Cap
37	1-2165-00	Door Shelf Support, 19-7/8
38	6-20-039-0	Screw, #6 x 3/8 T25 Flat Head Phillips
40	2-8063-01	Door Shelf Tray, 20.31
41	3-60-022-1	Right Side Door Shelf End Cap
42	2-2191-03	Refrigerator Bottom Door Trim, 2.07 x 27-7/8
43	3-42-026-0	Side Gasket Retainer, 66.875
44	6-20-041-0	Screw, #8 x 1/2 Slot Head Hex
45	3-21-014-0	Refrigerator Door Gasket, 27.563 x 67.375
46	6-20-004-0	Screw, #4-24 x 1/2 Truss Head
47	2-8059-01	Door Shelf Guard, 21-7/8
48	0-17053-0	Refrigerator Door Shell
49	4-13-048-0	Complete Refrigerator Door Assembly

3211 RFD COSMETIC VIEW

Item #	Part #	Description	Item #	Part #	Description
1	4-28-032-0	Unit Shroud Assembly	55	4-15-055-0	Crisper Tray Assembly, 25.19 x 15.50
2	6-20-023-0	Screw, #8-18 x 1/2 Hex Head	56	6-20-012-0	Screw, #10-12 x 1/2 Truss Head
3	6-11-007-0	Bolt, 1/4-20 x 5/8 Hex Head	57	6-20-004-0	Screw, #4-24 x 1/2 Truss Head
5	0-16455-0	Back Cover & Shroud	58	3-48-064-0	Crisper Front Only (Meat), 11.531
6	6-20-023-0	Screw, #8-18 x 1/2 Hex Head		4-18-046-0	Crisper Basket Assembly (Meat), 11.88 x 15.95
7	4-12-026-0	Left Side Main Frame Extrusion	59	3-21-023-0	Front Crisper Seal, 24.18
8	6-20-021-0	Screw, #8-32 x 1/2 Flat Head	60	4-15-050-0	Crisper Glass Assembly, 25.19 x 15.50
9	3-57-002-0	Rear Leveling Leg, 3/8-18 x 4	61	4-15-038-0	Crisper Trim Assembly, 25.375
10	4-11-003-2	Left Base Assembly	62	3-60-031-0	Refrigerator Cantilever Shelf, 24-3/4
11	3-57-004-0	Front Leveling Leg, 3/8-18 x 1/2	63	3-42-032-0	Roller
12	2-8073-17	Freezer Bottom Breaker Strip, 16-3/8	64	6-20-044-0	Screw, #10 x 11/16 Type B Flat Head
13	6-20-045-0	Screw, #8 x 1 Type AB Flat Head	65	3-60-032-0	Freezer Cantilever Shelf, 15
14	4-18-062-3	Right Crisper Slide Assembly	66	3-41-040-0	Ice Bucket Handle
	4-18-062-4	Left Crisper Slide Assembly	67	4-18-056-0	Ice Bucket Assembly
15	3-54-041-0	Bottom Cabinet Hinge	68	3-45-016-0	U-Clip
16	3-55-014-0	Self-Thread Insert, 1/4-20	69	4-15-032-0	Refrigerator Diffuser Glass Assembly, 5.25 x 25.313
18	6-11-023-0	Bolt, #10-24 x 1/2 Pan Head	70	3-41-015-0	Plastic Egg Tray
19	6-24-007-0	Lock Washer, 1/4 S.S.	71	4-24-004-0	Grille Assembly, 11 x 48
20	6-11-016-0	Bolt, 1/4 x 3/4 Hex Head	72	3-58-010-0	Sub-Zero Name Plate
21	0-18027-1	Right Door Closer Cover	73	6-15-014-0	Spring Grip Nut, 1/8
	0-18027-2	Left Door Closer Cover	74	6-20-036-0	Screw, #6-32 x 7/8 Truss Head (Grille Screw)
22	6-24-006-0	Star Washer, 1/4	75	4-15-035-0	Freezer Diffuser Glass Assembly, 6.40 x 15.563
23	6-20-001-0	Screw, #10-12 x 3/4 Pan Head	76	4-12-023-0	Right Side Main Frame Extrusion
24	3-54-027-0	Door Closer	77	3-54-034-0	Right Side Upper Door Hinge
25	6-24-016-0	Nylon Washer, 5/8 x 380-1/16 (Hinge Spacers)		3-54-035-0	Left Side Upper Door Hinge
	6-24-017-0	Nylon Washer, 5/8 x 380-1/32 (Hinge Spacers)	78	3-42-007-0	Hinge Bearing
26	6-20-007-0	Screw, #4-24 x 3/8 Flat Head (Shipping Screw)	79	6-20-007-0	Screw, #4-24 x 3/8 Flat Head
27	6-11-001-0	Bolt, #10-24 x 1/2 Flat Head (Hinge Screw)	80	0-18256-0	Top Cabinet Hinge
28	3-54-042-0	Right Side Lower Door Hinge	81	6-11-007-0	Bolt, 1/4-20 x 5/8 Hex Head
	3-54-043-0	Left Side Lower Door Hinge	82	6-20-024-0	Screw, #8-32 x 3/8 Phillips Head
29	6-20-001-0	Screw, #10-12 x 3/4 Pan Head	83	2-8073-20	Side Breaker Strip, 66-3/8 (Freezer, LS; Ref., RS)
30	4-11-003-1	Right Base Assembly	84	0-20059-0	Cold Plate Cover
31	3-42-032-0	Roller	85	4-18-063-0	Center Crisper Slide Assembly
32	6-20-044-0	Screw, #10 x 11/16 Type B Flat Head	86	6-20-008-0	Screw, #8-15 x 1/2 Truss Head
33	4-18-062-3	Right Crisper Slide Assembly	87	6-20-037-0	Screw, #8-18 x 2 Truss Head
	4-18-062-4	Left Crisper Slide Assembly	88	6-16-009-0	Spacer, .20 x .38 x 1.44
34	6-20-045-0	Screw, #8 x 1 Type AB Flat Head	90	6-12-020-0	Cable Clip, .22 x .79 x .50
35	2-8073-19	Refrigerator Bottom Breaker Strip, 26-1/16	91	6-20-014-0	Screw, #8-15 x 3/8 Truss Head
36	6-20-044-0	Screw, #10 x 11/16 Type B Flat Head	92	2-2215-02	Left Side Refrigerator Cantilever Shelf Ladder
37	3-42-032-0	Roller	93	2-2215-01	Right Side Refrigerator Cantilever Shelf Ladder
38	3-21-001-0	Gasket, 1/16 x 3/16 x 1/2	94	6-20-014-0	Screw, #8-15 x 3/8 Truss Head
39	6-15-027-0	Nut, #10-24 Acorn	95	6-22-007-0	Support, .44 x .63 x 1.53
40	3-60-040-0	Freezer Basket Shelf, 15.38 x 15.25	96	6-22-019-0	Plastic Support
41	6-18-004-0	Pop Rivet, 3/16 x 1/8 Grip	97	2-2196-01	Top Main Frame Extrusion, 48
42	2-2211-01	Freezer Basket Handle	98	2-8073-18	Refrigerator Top Breaker Strip, 26-1/16
43	4-18-058-0	Freezer Basket Assembly, 14-5/16 x 16	99	6-20-001-0	Screw, #10-24 x 3/4 Pan Head
44	3-57-003-0	Leveling Rod, 26-3/4	100	3-45-012-0	Grille Spring, 1/4 x 9-3/8
45	0-16281-0	Kickplate	101	6-20-002-0	Screw, #7-16 x 1/2 Pan Head
46	3-42-030-0	Center Crisper Support, .29 x .31 x 6.25	102	0-16435-0	Fan Shroud Front Bracket
47	6-22-020-0	Support; Barrel Type, .225 x .406	103	4-28-021-0	Compressor Shroud Assembly
48	3-55-016-0	Hex Insert, #10-32 x 3/8	104	6-20-002-0	Screw, #7-16 x 1/2 Pan Head
49	2-2107-01	Main Frame Angle	105	2-8073-16	Freezer Top Breaker Strip, 16-3/8
50	3-48-063-0	Crisper Front; Plain, 11.531	106	2-8072-03	Mullion Breaker Strip, 66-3/8 (Frzr., RS; Ref., LS)
51	3-48-072-0	Crisper Handle	107	3-42-034-0	#8 Nylon Screw Insulator
52	3-41-027-0	Crisper Basket Only, 11.88 x 15.96 x 5.68	108	6-20-032-0	Screw, #8-32 x 1/2 Truss Head
	4-18-048-0	Crisper Basket Assembly; Plain, 11.88 x 15.95	109	0-23208-0	Freezer Duct Cover
53	3-48-065-0	Crisper Front Only (Veg.), 11.531	110	2-2119-04	Left Side Freezer Cantilever Shelf, 52-1/16
	4-18-047-0	Crisper Basket Assembly (Veg.), 11.88 x 15.95	111	2-2119-03	Right Side Freezer Cantilever Shelf, 52-1/16
54	3-21-023-0	Front Crisper Seal, 24.18	112	6-20-014-0	Screw, #8-15 x 3/8 Truss Head
			113	6-11-033-0	Screw, #10-32 x 1/2 Chrome Plated
			114	3-21-025-0	Rear Crisper Seal
			115	2-2204-01	Crisper Glass Front

321 1 RFD COSMETIC VIEW



321 1 RFD SYSTEM VIEW

Item #	Part #	Description	Item #	Part #	Description
1	0-23197-0	Blower Bracket, 8-7/8	69	2-6008-03	Water Inlet Tube, 5
2	6-20-002-0	Screw, #7-16 x 1/2 Pan Head	70	6-20-008-0	Screw, #8-15 x 1/2 Truss Head
3	0-23171-0	Blower Wrapper	71	6-20-033-0	Screw, #8-18 x 3/8 Pan Head
4	6-11-012-0	Bolt, #10-32 x 5/8 Truss Head	72	6-12-012-0	Tube Clamp, 3/8 CPS
5	6-15-007-0	Nut, #10A Self Retaining U-Type	73	3-52-005-0	Brass Insert
6	3-01-206-0	Freezer Control	74	3-01-234-1	Refrigerator Control (Also, See 3-01-230-0)
7	3-01-209-0	Control Faceplate	75	3-01-232-0	Control Knob
8	6-11-005-0	Bolt, #8-32 x 3/8 Truss Head	76	6-11-005-0	Bolt, #8-32 x 3/8 Truss Head
9	3-01-241-0	Control Knob	77	6-11-003-0	Bolt, #10-24 x 1/2 Round Head
10	4-32-093-0	Defrost Terminator Assembly	78	4-16-012-0	Control Clamp
11	3-01-101-0	Accumulator, 1-1/4 x 8-7/8	79	6-15-003-0	Nut, #10-24 Hex S.S.
12	4-32-091-0	Defrost Heater Assembly	80	3-15-021-0	Fan Blade, 4"
13	3-01-332-0	Drain Heater, .28.5	81	6-11-032-0	Bolt, #10-32 x 3/4 Truss Head
14	6-12-015-0	Wire Clamp, Stl w/Rub, 7/16	82	0-21129-0	Refrigerator Fan Bracket
15	6-18-001-0	Pop Rivet, 1/8 Aluminum	83	6-15-033-0	Wellnut, #10-32
16	5-15-013-0	Nut, 1/4-20 Hex S.S.	84	0-21100-0	Refrigerator Fan Shroud
17	6-24-007-0	Lock Washer, 1/4 S.S.	85	3-05-003-0	Light Socket
18	0-23222-0	Fan Bracket, 7/8 x 3-1/2 x 8	86	3-03-003-0	Light Bulb
19	4-20-016-0	Freezer Fan Motor, 23 Watt	87	6-12-016-0	Plastic Cord Clip, 5/16 x 1/2
20	6-11-027-0	Bolt, #10-32 x 1/4 Round Head	88	4-20-017-0	Refrigerator Fan Motor, 23 Watt
21	3-15-006-0	Fan Blade Prop, 5-1/2	89	4-20-034-0	Light Switch Kit
22	0-16218-2	Blower Cover w/Light Hole	90	6-20-002-0	Screw, #7-16 x 1/2 Pan Head
23	3-21-001-0	Gasket, 1/16 x 3/16 x 1/2	91	3-01-405-0	Drier, 1/4 x .095
24	6-20-012-0	Screw, #10-12 x 1/2 Truss Head	92	3-02-229-0	Gray Power Cord
25	6-12-005-0	Plastic Tube Clamp, 5/8	93	6-20-034-0	Screw, #6-20 x 1/2 Pan Head
26	6-20-001-0	Screw, #10-12 x 3/4 Pan Head	94	6-20-001-0	Screw, #10-12 x 3/4 Pan Head
27	6-11-016-0	Bolt, 1/4 x 3/4 Hex Head	95	4-15-059-0	Fan Guard Assembly
28	3-53-009-0	Fan Grille, 6-1/4	96	5-15-041-0	Nut, 1/4-20
29	3-05-003-0	Light Socket	97	3-15-027-0	Fan Blade Prop, 7"
30	3-03-003-0	Light Bulb	98	3-21-034-0	Neoprene Silencer, 7/8"
31	4-32-118-0	Icemaker Wiring Harness	99	3-15-028-0	Condenser Fan Motor; 1.5 Watt, 4 Pole
32	6-12-003-0	Plastic Tube Clamp, 1/4	100	6-20-028-0	Screw, #8-18 x 1 Pan Head
33	6-20-001-0	Screw, #10-12 x 3/4 Pan Head	101	3-12-015-0	Dual Condenser
34	3-14-007-0	Icemaker	102	3-22-016-0	Grommet, 3/16 x 7/16 x 9/32
	3-14-008-0	Icemaker-Canadian Use Only	103	1-8017-00	Fan Bracket, 3-1/2
35	5-15-009-0	Wellnut, #10-32	104	6-20-049-0	Screw, #8-32 x 3/8 Type 25 Slotted Hex
36	6-12-016-0	Plastic Cord Clip, 5/16 x 1/2	105	3-08-105-0	Defrost Timer
37	2-6006-09	Plastic Water Tube, 66	106	6-20-001-0	Screw, #10-12 x 3/4 Pan Head
38	6-20-006-0	Screw, #8-32 x 1/2 Pan Head	107	4-25-046-0	Refrigerator Heat Exchanger Assembly
39	3-52-003-0	Icemaker Nut; Nylon, 1/4	108	3-09-001-0	Base Valve, 1/2 x 1-3/8
40	0-16200-0	Solenoid Bracket	109	3-09-008-0	Valve Cap
41	6-20-001-0	Screw, #10-12 x 3/4 Pan Head	110	3-52-011-0	Water Inlet Fitting Assembly
42	3-09-002-0	Solenoid Valve	111	2-4013-10	Unit Fan Shroud
43	3-21-003-0	Water Valve Gasket	112	6-20-015-0	Screw, #10-24 x 5/8 Round Head
44	3-52-021-0	Water Valve Fitting	113	3-11-074-0	Refrigerator Compressor (AE1332D)
45	3-52-022-0	Ball Sleeve	114	3-11-075-0	Refrig. Compressor Start Relay (9660-040-129K43)
46	3-52-023-0	Compression Nut	115	3-11-076-0	Refrigerator Compressor Overload (MRP59AMK-34)
47	1-6014-00	Freezer Drain Tube	116	5-12-003-0	Plastic Tube Clamp, 1/4
48	6-12-021-0	U-Clamp, 5/8	117	6-20-001-0	Screw, #10-24 x 3/4 Pan Head
49	6-20-001-0	Screw, #10-12 x 3/4 Pan Head	118	3-02-230-0	Freezer Switch Plug
50	3-42-076-0	Drain Pan Holder	119	3-02-234-0	Refrigerator Switch Plug
51	3-49-006-0	Drain Pan, 1.3 x 13.1 x 20	120	5-15-022-0	Nut, 5/16-18 Hex
52	6-20-015-0	Screw, #10-24 x 5/8 Round Head	121	6-24-005-0	Flat Washer, 5/16
53	6-22-021-0	Stand-Off Heater	122	3-15-017-0	Rubber Grommet
54	2-6041-01	Condensate Heater Loop	123	6-16-007-0	Sleeve, 5/16 x 7/16 x 7/8
55	6-23-037-0	Adhesive Back Foam Strip	124	3-52-012-0	Brass Insert, 3/16 x 9/32
56	1-6014-00	Refrigerator Drain Tube	125	6-15-022-0	Nut, 5/16-18 Hex
57	6-20-012-0	Screw, #10-12 x 1/2 Truss Head	126	4-25-048-0	Freezer Heat Exchanger Assembly
58	4-19-006-0	Drain Trough Assembly, 1.75 x 24.75	127	3-11-068-0	Freezer Compressor (AE1360D)
59	4-21-039-0	Refrigerator Evaporator Assembly	128	3-11-059-0	Freezer Compressor Start Relay (9660-041-161)
60	3-01-103-0	Accumulator	129	3-11-070-0	Freezer Compressor Overload (MRP40AMK-34)
61	2-8040-01	Evaporator Holder, 30	130	6-11-034-0	Screw, Slot' Head
62	6-20-009-0	Screw, #8-15 x 1-3/4 Truss Head	131	3-11-063-0	Terminal Cover Strap
63	625910	Bracket	132	3-11-062-0	Terminal Cover
64	488646	Screw	133	6-20-003-0	Screw, #10-12 x 5/8 Truss Head
65	6-20-014-0	Screw, #8-15 x 3/8 Truss Head	134	4-20-034-0	Light Switch Kit
66	3-42-067-0	Screw Spacer	135	6-11-027-0	Bolt, #10-32 x 1/4 Round Head
67	6-20-044-0	Screw, #10 x 11/16 Type B Flat Head	136	3-13-003-0	Freezer Evaporator Coil
68	6-20-032-0	Screw, #8-32 x 1/2 Truss Head			

3211 RFD SYSTEM VIEW

