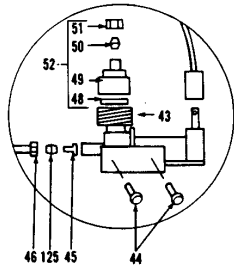
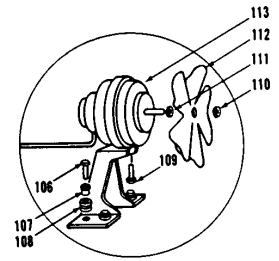
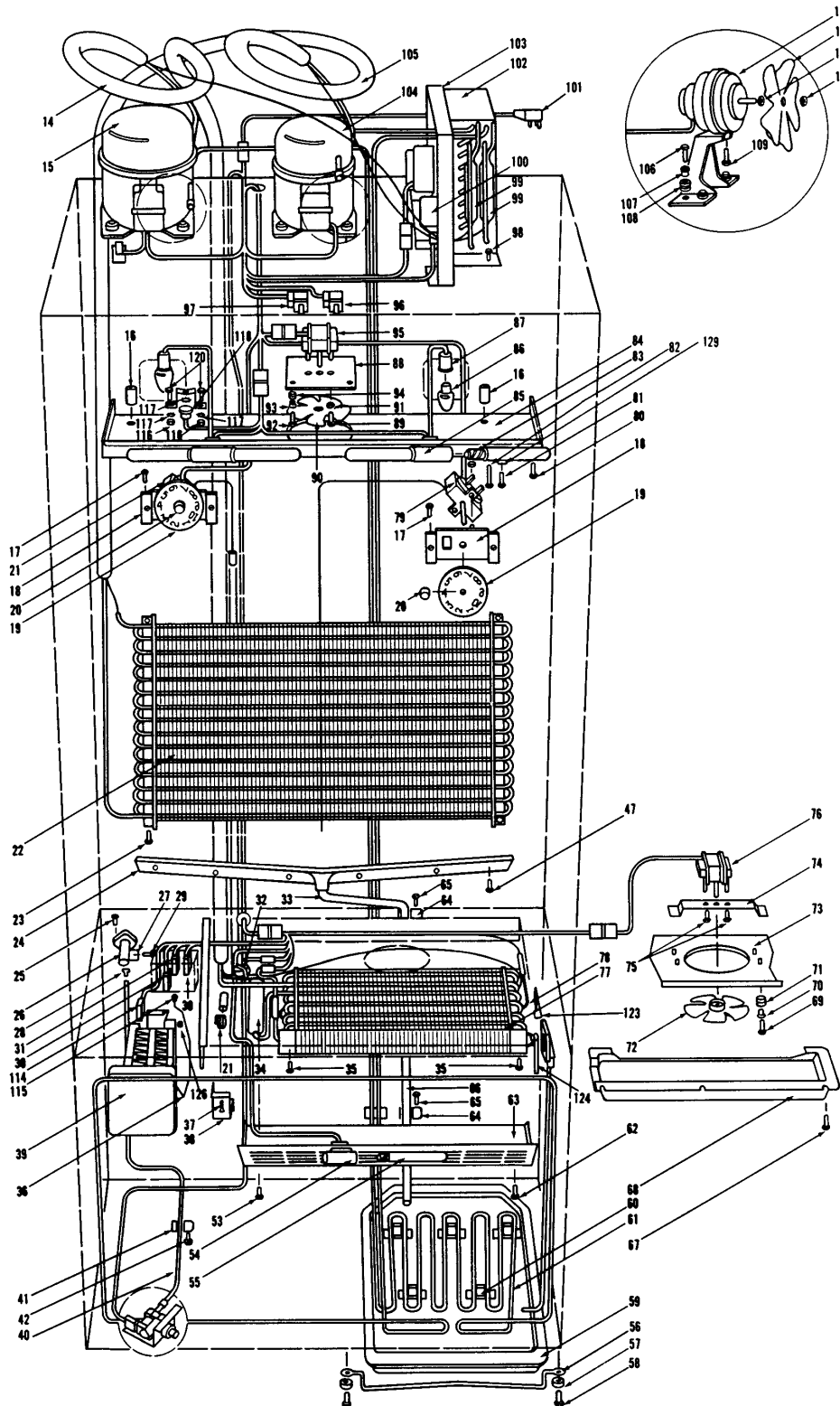
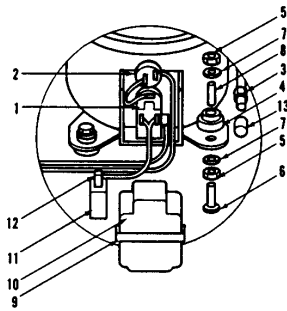


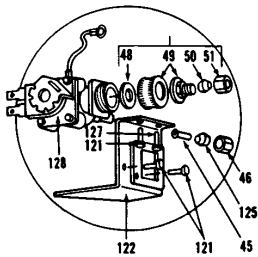
511 SEALED SYSTEM VIEW

Ref.	Part No.	Description	Ref.	Part No.	Description
1	****	Relay, Freezer	64	6120050	Tube Clamp, Plastic, 5/8"
	****	Relay, Refrigerator	65	6200230	Screw, #8-18 x 1/2" Hex Head
2	****	Overload, Freezer	66	1601400	Drain Tube, Wire - 1/2" x 72"
3	3090010	Compressor Base Valve	67	6200120	Screw, #10-12 x 1/2" Truss HD
4	3150010	Rubber Grommet, Small, 5/8"	68	4151190	Freezer Air Duct Assembly
	3150170	Rubber Grommet, Large, 15/16"	69	6200430	Screw, #8-18 x 1/2" PH Type-B Pan Head
5	6150220	Nut, 5/16-18 Hex Zinc	70	3520120	Brass Insert, Fan Bracket
6	6240050	Flat Washer, 5/16"	71	3220250	Grommet, 3/16" x 7/16" x 9/32"
7	6240050	Flat Washer, 5/16"	72	3150370	Fan Blade, Freezer Evap.
8	6160030	Spacer, 5/16 x 7/16 x 5/8"	73	0233210	Fan Shroud, Fre Evap
	6160070	Sleeve, 5/16 x 7/16 x 7/8"	74	0232280	Fan Bracket, Fre
9	****	Refrigerator Compressor Cap Strap	75	6110270	Bolt, #10-32 x 1/4" RD HD
	****	Freezer Compressor Cap Strap	76	4200160	Freezer Fan Motor Replacement Components
10	****	Refrigerator Compressor Cap	77	3130320	Evaporator Coil, Freezer
	****	Freezer Compressor Cap	78	4322580	Defrost Heater Assembly
11	****	Run Capacitor	79	3012800	Control, Refrig
12	4324110	Run Capacitor Wire Harness	80	6200140	Screw, #8-15 x 3/8" Truss HD
13	NLA	Valve Cap - See 3090010; 3090100; 3090210; 3090220.	81	6200130	Screw, #8-18 x 3/4" Truss HD
14	4251040	Heat Exchanger, Freezer	82	6200090	Screw, #8-15 x 1-3/4" Truss HD
15	4201400	Service Freezer Compressor	83	3030040	Light Bulb, Long/Narrow; 40 Watt
16	6220340	Screw Grommet / Stand-off	84	4160610	Fan Shroud Assembly, Ref
17	6180010	Pop Rivet, 1/8"	85	3050020	Light Socket, 3/4 Double
18	4151040	Control Bracket Assy	86	3030070	Light Bulb, 7W
19	3012810	Control Indicator	87	3050070	Light Socket
20	3012560	Control Knob	88	0211620	Refrigerator Fan Bracket
21	3012541	Control, Fre	89	6110270	Bolt, #10-32 x 1/4" RD HD
22	3130260	Evaporator, Refrig.	90	3150210	Fan Blade, Ref Evap
23	6200140	Screw, #8-15 x 3/8" Truss HD	91	6200120	Screw, #10-12 x 1/2" Truss HD
24	4190200	Drain Trough Assembly	92	6200130	Screw, #8-18 x 3/4" Truss HD
25	6200230	Screw, #8-18 x 1/2" Hex Head	93	3520120	Brass Insert, Fan Bracket
26	1600800	Water Inlet Tube, 6"	94	3220250	Grommet, 3/16" x 7/16" x 9/32"
	4202170	Fill Tube Heater Assy.	95	4200170	Refrigerator Fan Motor Replacement Components
27	6120120	Tube Clamp, 3/8" Stl w/nut	96	3060130	SPST Fan/Icemaker Switch
28	3520050	Brass Insert, Solenoid	97	3060140	SPST Light Switch
29	6200330	Screw, #8-18 x 3/8" Pan Head	98	6200010	Screw, #10-12 x 3/4" Pan HD
30	3060130	SPST Fan/Icemaker Switch	99	3014230	Filter-Drier, High Side
31	3060140	SPST Light Switch	100	3081180	Service Defrost Timer, 6Hr / 21Min
32	3082060	Defrost Terminator	101	4321820	Power Cord
33	1601400	Drain Tube, Wire - 1/2" x 72"	102	3120240	Dual Condenser
34	3011130	Freezer Accumulator	103	4280500	Condenser Fan Shroud Assembly
35	6200120	Screw, #10-12 x 1/2" Truss HD		0166980	Shroud Support Bracket
36	4202730	Ice Level Arm Package	104	4201670	Service Refrigerator Compressor
37	6200140	Screw, #8-15 x 3/8" Truss HD	105	4251050	Heat Exchanger, Refrigerator
38	0233160	Control Housing, Fre	106	6200280	Screw, #8-18 x 1" Pan Head
39	628366	Module & Motor Assembly	107	3520120	Brass Insert, Fan Bracket
	4200520	Complete Modular Icemaker Assembly	108	3220160	Grommet, 3/16" x 7/16" x 9/32"
40	2600617	Plastic Water	109	6200490	Screw, #8-32 x 3/8" Slotted Hex T25
41	6120030	Tube Clamp, Plastic 1/4"	110	6150410	Nut, 1/4-20
42	6200010	Screw, #10-12 x 3/4" Pan HD	111	3210340	Neoprene Silencer, 7/8"
43	4201440	Water Solenoid Valve	112	3150320	Fan Blade, Cond, 5 prop, 7"
44	6200060	Screw, #8-32 x 1/2" Pan HD	113	4200740	Condenser Fan Motor Replacement Components
45	3520050	Brass Insert, Solenoid	114	4322710	Freezer Wiring Harness
46	3520030	Icemaker Nylon Nut, 1/4"	115	3220170	Snap Bushing
47	6200140	Screw, #8-15 x 3/8" Truss HD	116	6150160	Nut, #8-32 Hex
48	3210030	Solenoid Gasket	117	6240020	Star Washer, 3/16"
49	NLA	Water Valve Fitting - See 3520110	118	4200850	Light Terminator
0	NLA	Ball Sleeve - See 3520110	120	6110050	Bolt, #8-32 x 3/8" Truss HD
51	NLA	Compression Nut - See 3520110	121	6200010	Screw, #10-12 x 3/4" Pan HD
52	3520110	Water Inlet Fitting Assembly	122	0166190	Solenoid Bracket
53	6200120	Screw, #10-12 x 1/2" Truss HD	123	2606601	Aluminum Sleeve
54	3050010	Light Socket, 3/4 Single	124	6120340	Aluminum Strap
55	3030040	Light Bulb, Long/Narrow; 40 Watt	125	NLA	Solenoid Hose Fitting - See 3520110
56	3420760	Drain Pan Holder	126	6220190	Support, .275 x .750"
57	3420670	Screw Spacer	127	6200060	Screw, #8-32 x 1/2" Pan HD
58	6200440	Screw, #10-16 x 11/16" Type B Flat Head	128	4201440	Water Solenoid Valve
59	0164940	Drain Pan, Plastic	129	6220330	Plastic Support
60	6220210	Stand-off Heater Clip	130	3081120	Fan Control Relay
61	2604101	Condensate Heater Loop	131	0166200	Solenoid Retainer
62	6200120	Screw, #10-12 x 1/2" Truss HD			
63	0233180	Evaporator Cover, Fre			

511 SEALED SYSTEM VIEW



Use prior to
Serial No. M830453



Use after
Serial No. M830454