

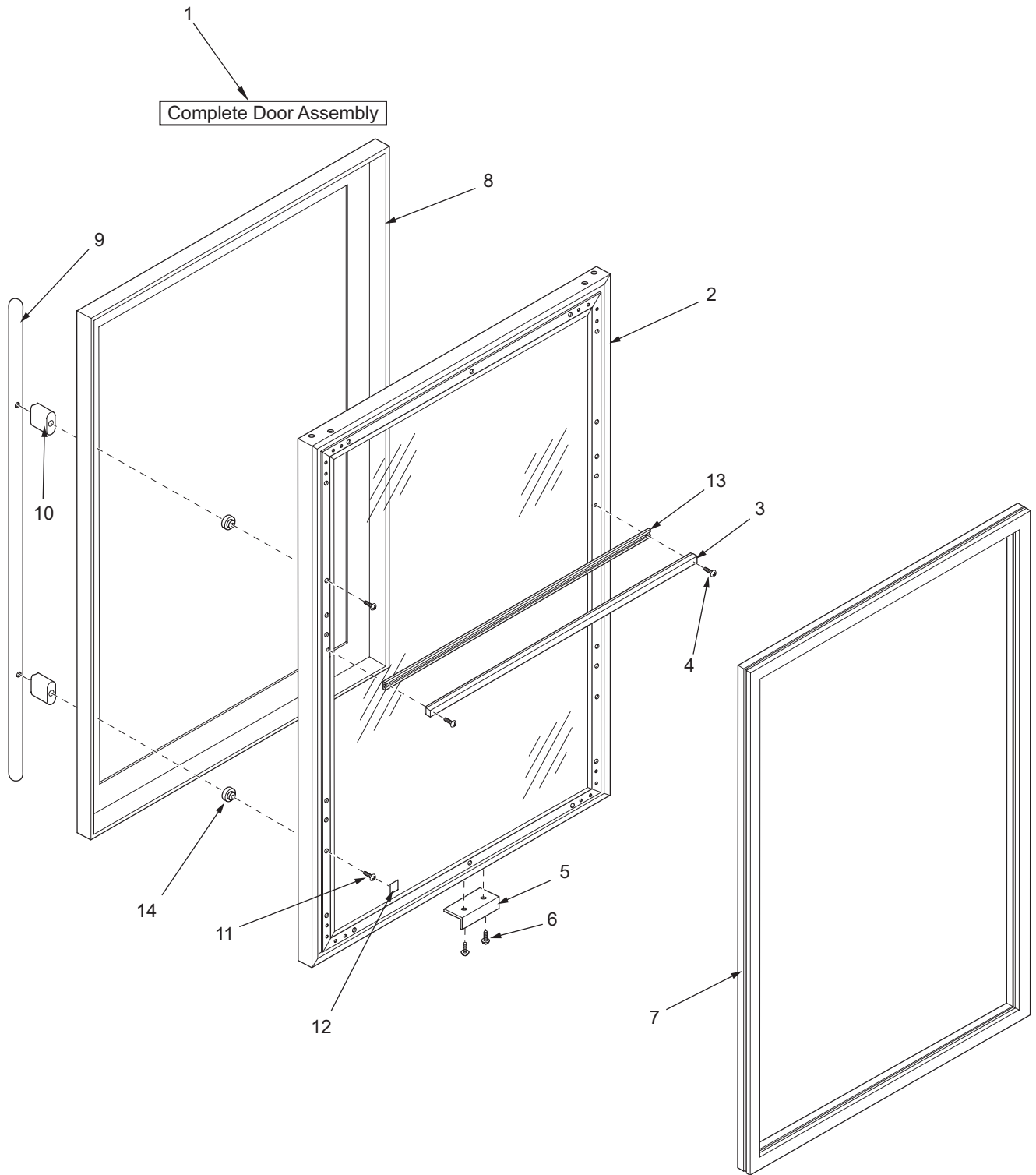


424-2 DOOR PARTS LIST

| Ref #                                                                       | Part #  | Description                       | Ref # | Part #  | Description                            |
|-----------------------------------------------------------------------------|---------|-----------------------------------|-------|---------|----------------------------------------|
| 1.                                                                          | 4134180 | Door Assy, SRVC - 424G/O          | 5.    | 3450990 | Switch Depressor, Black                |
|                                                                             | 4134361 | Door Assy, HAG 424/O              |       | 3450991 | Switch Depressor, Silver               |
|                                                                             | 4134190 | Door Assy, Srvc - 424G/S RH       | 6.    | 6200050 | Screw, #10-12 x 1/2" Pan HD            |
|                                                                             | 4134200 | Door Assy, Srvc - 424G/S LH       | 7.    | 3211950 | Gasket, Door                           |
|                                                                             | 4134371 | Door Assy, HAG 424G/S RH          | 8.    | 4203150 | SS Door Panel Pkg, Glass-424RH         |
|                                                                             | 4134372 | Door Assy, HAG 424G/S LH          |       | 4203160 | SS Door Panel Pkg, Glass-424LH         |
|                                                                             | 4135045 | Door Assy,SRVC-424G/B-RH          |       | 4135141 | Door Skin Assy,SRVC-424G/B-RH          |
|                                                                             | 4135046 | Door Assy,SRVC-424G/B-LH          |       | 4135142 | Door Skin Assy,SRVC-424G/B-LH          |
|                                                                             | 4135047 | Door Assy,Srvc-424HAG/B-RH        |       | 4135151 | Door Skin Assy,SRVC-424G/P-RH          |
|                                                                             | 4135048 | Door Assy,Srvc-424HAG/B-LH        |       | 4135152 | Door Skin Assy,SRVC-424G/P-LH          |
|                                                                             | 4135055 | Door Assy,SRVC-424G/P-RH          |       | 4134161 | Door Skin Assy,SRVC-424S/B-RH          |
|                                                                             | 4135056 | Door Assy,SRVC-424G/P-LH          |       | 4134162 | Door Skin Assy,SRVC-424S/B-LH          |
|                                                                             | 4135057 | Door Assy,Srvc-424HAG/P-RH        |       | 4134171 | Door Skin Assy,SRVC-424S/P-RH          |
|                                                                             | 4135058 | Door Assy,Srvc-424HAG/P-LH        |       | 4134172 | Door Skin Assy,SRVC-424S/P-LH          |
|                                                                             | 4134210 | Door Assy, SRVC-424S/O            |       | 4203190 | SS Door Panel Pkg, Solid-424RH         |
|                                                                             | 4134220 | Door Assy, SRVC-424S/S-RH         |       | 4203200 | SS Door Panel Pkg, Solid-424LH         |
|                                                                             | 4134230 | Door Assy, SRVC-424S/S-LH         |       | 4135161 | Door Skin Assy,SRVC-424S/B-RH          |
|                                                                             | 4135063 | Door Assy,SRVC-424S/B-RH          |       | 4135162 | Door Skin Assy,SRVC-424S/B-LH          |
|                                                                             | 4135064 | Door Assy,SRVC-424S/B-LH          |       | 4135171 | Door Skin Assy,SRVC-424S/P-RH          |
|                                                                             | 4135073 | Door Assy,SRVC-424S/P-RH          |       | 4135172 | Door Skin Assy,SRVC-424S/P-LH          |
|                                                                             | 4135074 | Door Assy,SRVC-424S/P-LH          | 9.    | 3512030 | Handle, Door SS 3/4 X 24.188 -         |
| <b>NOTE: Door Assy's do NOT include hinges, handle or switch depressor.</b> |         |                                   |       | 3512031 | Handle, Door 3/4 X 24-3/16, B -        |
| 2.                                                                          | 4132723 | Door Assy, Srvc Glass 424/O       |       | 3512032 | Handle, Door 3/4 X 24-3/16, P -        |
|                                                                             | 4134361 | Door Assy, Srvc-HAG 424G/O        | 10.   | 3512190 | Standoff, SS Oval                      |
|                                                                             | 4134371 | Door Assy, HAG 424G/S RH          |       | 3512191 | Standoff, Oval CarBon                  |
|                                                                             | 4134372 | Door Assy, HAG 424G/S LH          |       | 3512192 | Standoff, Oval Platinum                |
|                                                                             | 4132983 | Door Assy, Srvc Solid 424/O       | 11.   | 6110650 | Machine Screw, #10-24x2 TRHDSS         |
|                                                                             | 4132993 | Door Assy, Srvc Solid 424/S       | 12.   | 6230970 | Tape, Black Poly                       |
| 3.                                                                          | 3212020 | Seal, Center                      | 13.   | 2813001 | Holder, Compression Gasket - 21.5      |
| 4.                                                                          | 6201360 | Screw, #4 x 3/4" Ph Pan Hd Type A |       | 2813101 | Holder, Compression Gasket - 21.5 -    |
|                                                                             |         |                                   | 14.   | 6160250 | Spacer, Door Hndl-(SS,carBon,Platinum) |



424-2 DOOR VIEW

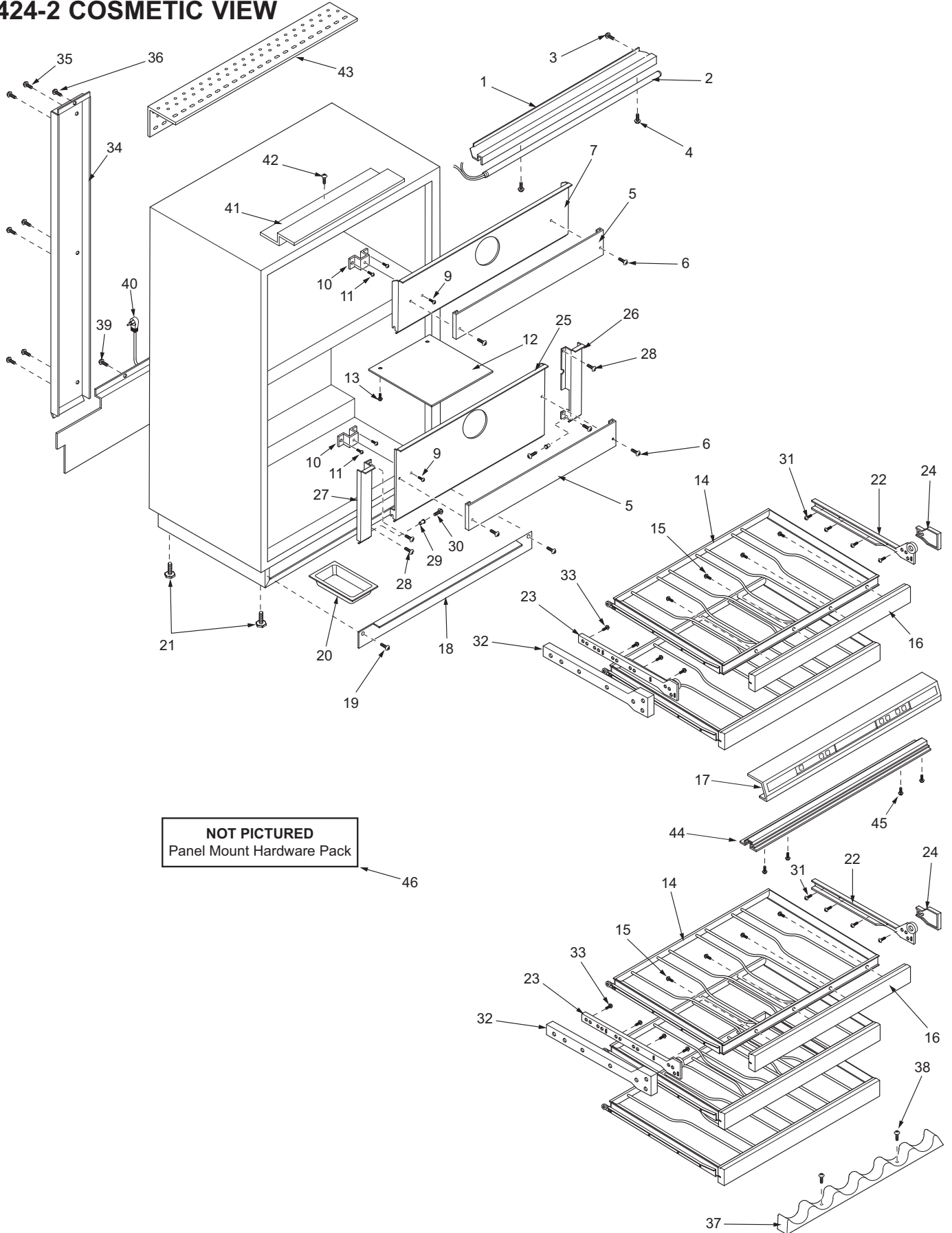


## 424-2 COSMETIC PARTS LIST

| <u>Ref #</u> | <u>Part #</u> | <u>Description</u>               | <u>Ref #</u> | <u>Part #</u> | <u>Description</u>                  |
|--------------|---------------|----------------------------------|--------------|---------------|-------------------------------------|
| 1.           | 3511670       | Light Strip Housing, Upper       | 24.          | 3421830       | Spacer, Slide (Handle Side)         |
| 2.           | 3030150       | Light Strip, 15 WATT             | 25.          | 0200931       | Cover, Evap Lwr Srvc                |
| 3.           | 6201270       | Screw, #8-18 x 5/8" PH PN SS-Gnd | 26.          | 0200941       | Evap Sprt, RH Lwr Srvc              |
| 4.           | 6201310       | Screw, #8 x 1-3/4" Flat PH HD    | 27.          | 0200951       | Evap Sprt, LH Lwr Srvc              |
| 5.           | 0212321       | Diffuser, Evap Fan Srvc          | 28.          | 6201270       | Screw, #8-18 x 5/8" PH PN SS-Gnd    |
| 6.           | 6201010       | Screw, #8-15 x 2" Pan Head       | 29.          | 3520120       | Brass Insert                        |
| 7.           | 0200921       | Cover, Evap Upr Srvc             | 30.          | 6200130       | Screw, #8-18 x 3/4" Truss HD        |
| 8.           | N/A           |                                  | 31.          | 6201230       | Screw, #8 x 7/8" w/a #7 PH FT Head  |
| 9.           | 6200060       | Screw, #8-32 x 1/2" Pan HD       | 32.          | 3421820       | Spacer, Slide Sprt (Hinge Side)     |
| 10.          | 0169391       | Bracket Grounding, SRVC          | 33.          | 6201240       | Screw, #8X1-3/8" w/a #7 PH FT Head  |
| 11.          | 6201270       | Screw, #8-18 x 5/8" PH PN SS-Gnd | 34.          | 0168851       | Duct, Back Srvc                     |
| 12.          | 4152220       | Pnl Assy, Srvc Acc               | 35.          | 6201240       | Screw, #8 x 1-3/8" w/a #7 PH FT Hd  |
| 13.          | 6200720       | Screw, #8-18 x 1/2 PH Truss HD   | 36.          | 6200060       | Screw, #8-32 x 1/2" Pan HD          |
| 14.          | 4181720       | Rack Assy, Wine                  | 37.          | 3413600       | Rack, Bot                           |
| 15.          | 6201420       | Screw                            | 38.          | 6201290       | Screw, #8-15 PH PN HD SS, White     |
| 16.          | 3516520       | Molding, Wood Wine Rack          | 39.          | 6200010       | Screw, #10-12 x 3/4" Pan HD         |
| 17.          | 4203100       | Ctrl Panel Assy, Service 424     | 40.          | 4152000       | Cvr Assy, Lwr (Incl. Power Cord)    |
| 18.          | 3560120       | Kickplate Grille, Blk            | 41.          | 0260200       | Bracket - Ref to Countertop         |
|              | 3560100       | Kickplate Grille, Slvr           | 42.          | 6200010       | Screw, #10-12 x 3/4" Pan HD         |
| 19.          | 6200050       | Screw, #10-12 x 1/2" Pan HD      | 43.          | 0168810       | Anti Tip Bracket - 23-7/8"          |
| 20.          | 0163150       | Drain Pan                        | 44.          | 3511700       | Housing, Lwr Light (No Lower Light) |
| 21.          | 3570050       | Leveling Leg, #18-3/8 x 1"       | 45.          | 6201270       | Screw, #8-18 x 5/8" PH PN SS-Gnd    |
| 22.          | 3413551       | Slide, Cabninet RH               | 46.          | 6201430       | Panel Mount Hdwr Pk (Not pictured)  |
| 23.          | 3413552       | Slide, Cabninet LH               |              |               |                                     |



424-2 COSMETIC VIEW



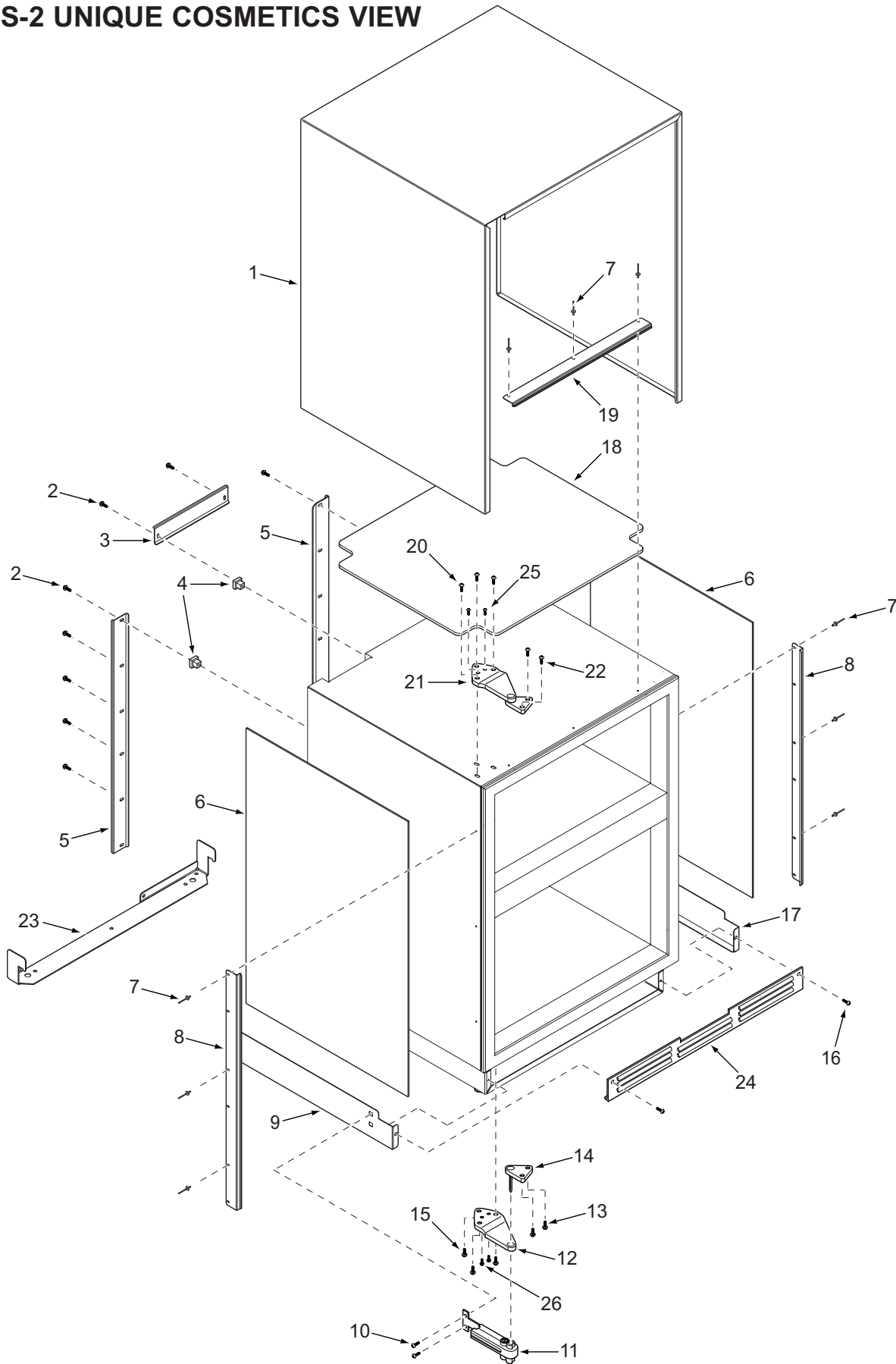
NOT PICTURED  
Panel Mount Hardware Pack

## 424FS-2 UNIQUE COSMETICS PARTS LIST

| <u>Ref #</u> | <u>Part #</u> | <u>Description</u>                     | <u>Ref #</u> | <u>Part #</u> | <u>Description</u>                     |
|--------------|---------------|----------------------------------------|--------------|---------------|----------------------------------------|
| 1.           | 0810101       | Overlay, SS RH Srvc                    | 14.          | 3541095       | Hinge, Door Bottom, Silver - RH        |
|              | 0810112       | Overlay, SS LH Srvc                    |              | 3541096       | Hinge, Door Bottom, Silver - LH        |
| 2.           | 6200130       | Screw, #8-18 x 3/4" Truss HD (10)      | 15.          | 6200780       | Screw, #10-24 x 1/2" PH Hex Washer (3) |
| 3.           | 4152100       | Bracket, Back Top Assy                 | 16.          | 6200120       | Screw, #10-12 x 1/2" Truss HD          |
| 4.           | 6220320       | Screw Grommet (10)                     | 17.          | 4152131       | Cover, Base - Handle Side - RH         |
| 5.           | 4152110       | Bracket, Back Side (2)                 |              | 4152132       | Cover, Base - Handle Side - LH         |
| 6.           | 3220830       | Foam Pad, 125 X 29.2 X 19.8 (2)        | 18.          | 3220820       | Foam Pad, .25 X 22.8 X 19.5            |
| 7.           | 6180210       | Pop Rivet, 1/8 X 3/16 (9)              | 19.          | 0860921       | Bracket, Front TopSrvc                 |
| 8.           | 0860911       | Bracket, Front Side Srvc (2)           | 20.          | 6110540       | Bolt, #10-24 x 1/2" Flat Socket HD (3) |
| 9.           | 4152121       | Cover, Base Assy. - Hinge Side - RH    | 21.          | 3541122       | Hinge, Cabinet Top Assy Silver         |
|              | 4152122       | Cover, Base Assy. - Hinge Side - LH    | 22.          | 6110540       | Bolt, #10-24 x 1/2" Flat Socket HD (2) |
| 10.          | 6200330       | Screw, #8-18 x 3/8" Pan Head (2)       | 23.          | 0860900       | Bracket, Anti-Tip                      |
| 11.          | 3540810       | Door Closer                            | 24.          | 3560110       | Kickplate, Grille                      |
| 12.          | 3541112       | Hinge, Cabinet Bottom-Silver           | 25.          | 6200210       | Screw, #8-32 x 1/2" Flat Head (2)      |
| 13.          | 6200780       | Bolt, #10-24 x 1/2" Flat Socket HD (2) | 26.          | 6201500       | Screw, #10X3/4 Drill PH Hex (2)        |



424FS-2 UNIQUE COSMETICS VIEW



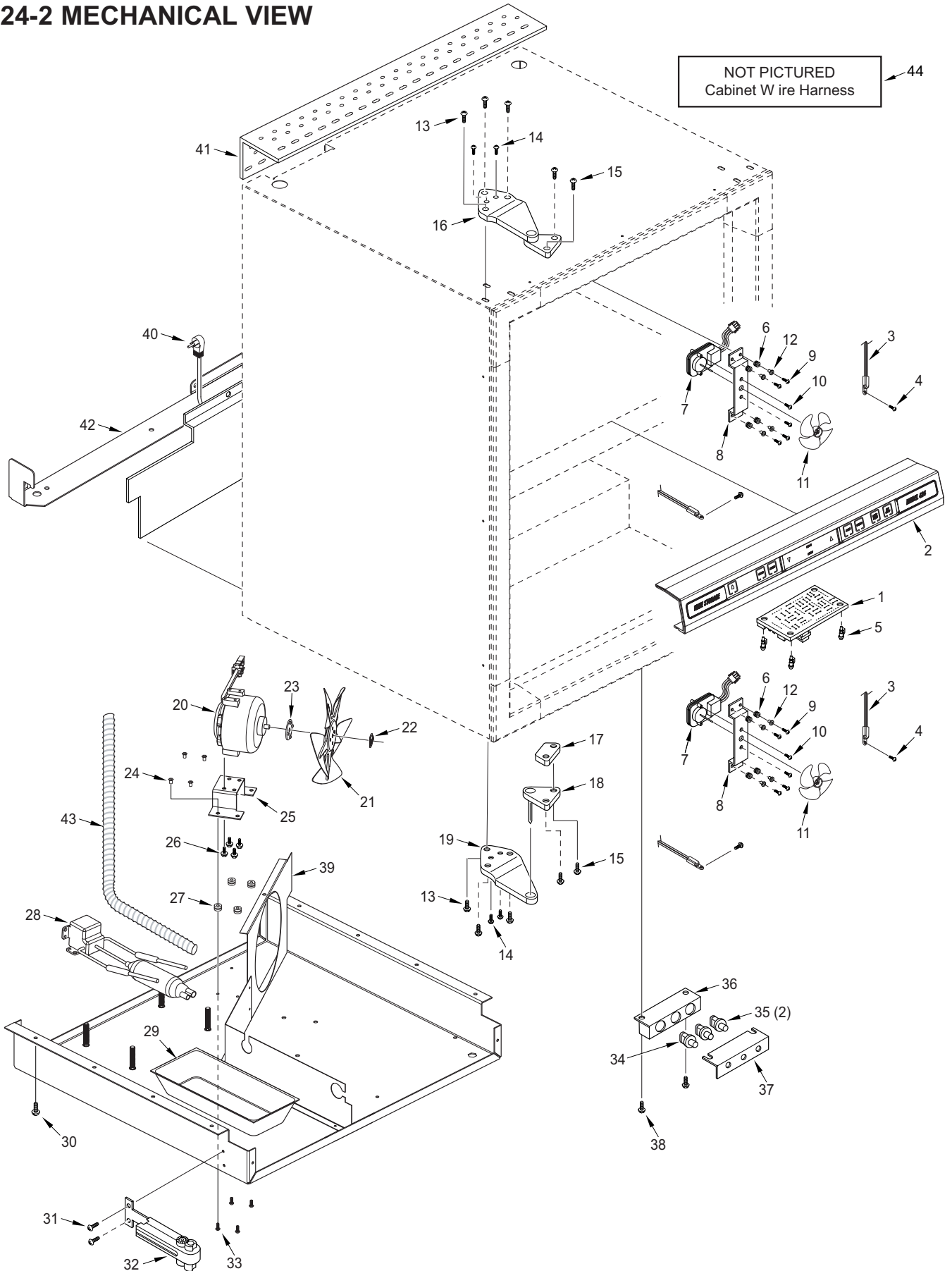


**424-2 MECHANICAL PARTS LIST**

| <u>Ref #</u> | <u>Part #</u> | <u>Description</u>                       | <u>Ref #</u> | <u>Part #</u> | <u>Description</u>                     |
|--------------|---------------|------------------------------------------|--------------|---------------|----------------------------------------|
| 1.           | 4204170       | Control Board, Service 400               | 21.          | 3150940       | Blade, Condenser Fan                   |
| 2.           | 4203100       | Control Panel Pkg, SRVC - 424            | 22.          | 6150410       | Nut, 1/4-20                            |
| 3.           | 4204150       | Thermistor, ASM Srvc Pkg                 | 23.          | 3210340       | Neoprene Silencer, 7/8"                |
| 4.           | 6201270       | Screw, #8-18 x 5/8" PH PN SS-Gnd         | 24.          | 6220290       | Stand-Off, #6-32 (4)                   |
| 5.           | 3450810       | Circuit Board Support                    | 25.          | 0261051       | Brkt, Cond Fan Srvc (See SN Breaks)    |
| 6.           | 3220250       | Grommet, Rubber-#M5351                   |              | 0263131       | Bracket, Cond. Srvc (See SN Breaks)    |
| 7.           | 4220801       | Motor Assy, Evap Fan (Incl Brkt & Blade) | 26.          | 6201580       | Screw,#8-36 X 1/2 Nylon Patch (4)      |
| 8.           | 0212330       | Bracket, Evap Fan Motor                  | 27.          | 3220160       | Grommet, 3/16" x 7/16" x 9/32"         |
| 9.           | 6201270       | Screw, #8-18 x 5/8" PH PN SS-Gnd         | 28.          | 4204160       | Refrigerant Valve Assembly             |
| 10.          | 6110270       | Bolt, #10-32 x 1/4" RD HD                | 29.          | 0163150       | Drain Pan                              |
| 11.          | 3150640       | Fan blade, Evaporator                    | 30.          | 6200010       | Screw, #10-12 x 3/4" Pan HD            |
| 12.          | 3520120       | Brass Insert, Fan Bracket                | 31.          | 6200330       | Screw, #8-18 x 3/8" Pan Head (2)       |
| 13.          | 6110540       | Bolt, #10-24 x 1/2" Flat Socket HD (3)   | 32.          | 3540810       | Closer, Door 150Lb                     |
| 14.          | 6200210       | Screw, #8-32 x 1/2" Flat Head (2)        | 33.          | 6200610       | Screw, #6-32 x 3/8" PH Rd Hd, Zinc (4) |
| 15.          | 6110540       | Bolt, #10-24 x 1/2" Flat Socket HD (2)   | 34.          | 3060030       | Light Switch, Normally Closed          |
|              | 6110811       | Bolt, #10-24X3/4 Ph Flat Hd, B (2)       |              | 3060031       | Switch, Plunger N.C. Black             |
| 16.          | 3541121       | Hinge, Cabinet Top Assy Black            | 35.          | 3060020       | Fan Switch, Normally Open              |
|              | 3541122       | Hinge, Cabinet Top Assy Silver           |              | 3060021       | Switch, PI unger N.O. Black            |
| 17.          | 3541131       | Shim, Door Black (Ovelay Units)          | 36.          | 0862391       | Bracket, Triple Switch Srvc            |
| 18.          | 3541093       | Hinge, Door Bottom - RH Black            | 37.          | 0862380       | Guard, Switch                          |
|              | 3541094       | Hinge, Door Bottom - LH Black            | 38.          | 6200060       | Screw, #8-32 x 1/2" Pan HD (2)         |
|              | 3541095       | Hinge, Door Bottom - RH Silver           | 39.          | 0862221       | Shroud, Cond Fan Srvc                  |
|              | 3541096       | Hinge, Door Bottom - LH Silver           | 40.          | 4152000       | Cvr Assy, Lwr (Incl. Power Cord)       |
| 19.          | 3541110       | Hinge, Cabinet Bottom- Black             | 41.          | 0168810       | Anti Tip Bracket - 23-7/8"             |
|              | 3541112       | Hinge, Cabinet Bottom-Silver             | 42.          | 0860900       | Bracket, Anti-Tip (for Model 424FS-2)  |
| 20.          | 3150930       | Motor, Condenser 1 WATT                  | 43.          | 1601400       | Drain Tube, Wire - 1/2" x 72"          |
|              |               |                                          | 44.          | 3025730       | Wire Harness, Cabinet (Not Shown)      |



424-2 MECHANICAL VIEW





**424-2 SEALED SYSTEM PARTS LIST**

| <u>Ref #</u> | <u>Part #</u> | <u>Description</u>                                               |
|--------------|---------------|------------------------------------------------------------------|
| 1.           | 4203230       | Comp Pkg, Srvc Wine EMI30HER (Includes Valve Assembly)           |
| 2.           | 3112212       | Electrical Assy, EMT30HSC Comp (Used w/Production EMT30HSC Comp) |
|              | 3112500       | Capacitor, 12MF (Used w/Production EMT30HSC Comp)                |
|              | 3112270       | Term Cvr Spring, DC51C (Used w/Production EMT30HSC Comp)         |
|              | 3111370       | Relay, EMB 1351400 OR 213514008 (Used w/Service EMI30HER Comp)   |
|              | 3111410       | Overload, (4TM734LFB) (Used w/Service EMI30HER Comp)             |
| 3.           | 6150220       | Nut, 5/16-18 Hex Zinc                                            |
| 4.           | 6240090       | Lock Washer, 5/16"                                               |
| 5.           | 6240050       | Flat Washer, 5/16"                                               |
| 6.           | 6160030       | Spacer, 5/16 x 7/16 x 5/8"                                       |
| 7.           | 3150010       | Rubber Grommet, Small, 5/8"                                      |
| 8.           | 4211540       | Evap Assy (Includes Heat Exchanger) (See SN Breaks)              |
|              | 4211541       | Evap Assy, Srvc 424-2 (Includes Heat Exchanger) (See SN Breaks)  |
| 9.           | 6201270       | Screw, #8-18 x 5/8" PH PN SS-Gnd                                 |
| 10.          | 3120300       | Condenser (See SN Breaks)                                        |
|              | 3120440       | Condenser, Wire on Tube (See SN Breaks)                          |
| 11.          | 4204160       | Refrigerant Valve Assembly (Includes Drier)                      |
| 12.          | 6200010       | Screw, #10 -12 x 3/4" Pan HD                                     |
| 13.          | 0163150       | Drain Pan                                                        |
| 14.          | 6200110       | Screw, #10 -12 x 5/8" Truss SS                                   |
| 15.          | 6150080       | Nut-Flat, #10-24                                                 |
| 16.          | 3014100       | Suction Line Drier (Service Only)                                |



424-2 SEALED SYSTEM VIEW

